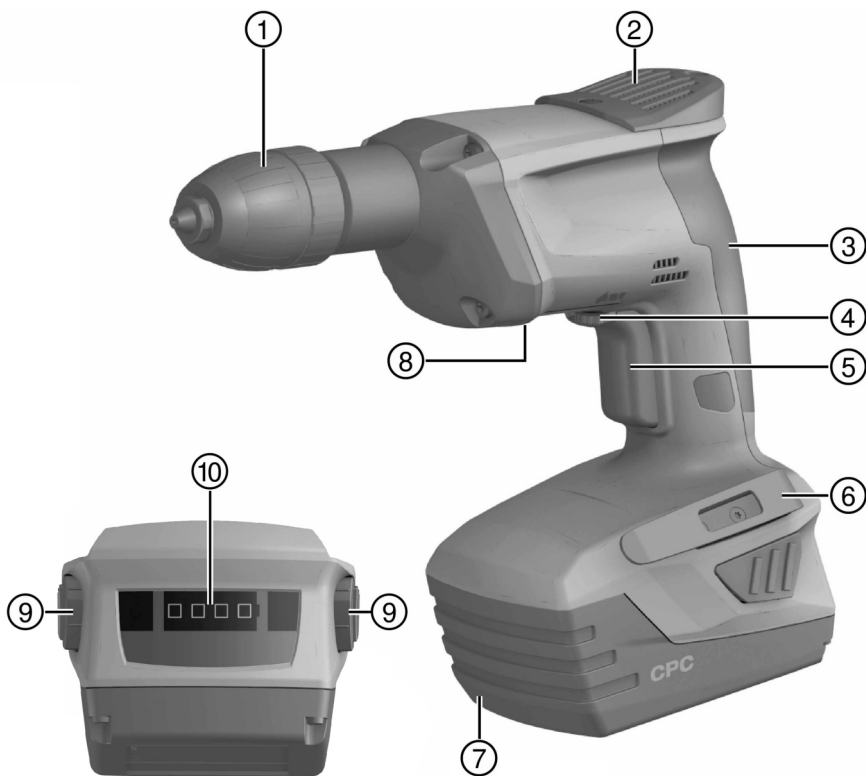




SF BT 22-A (01)

English
עברית

1
10



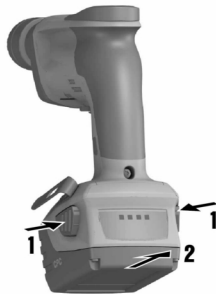
2



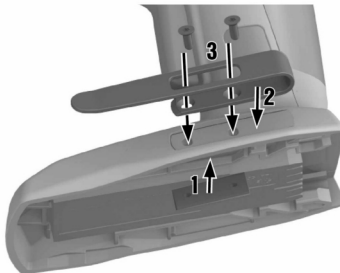
3

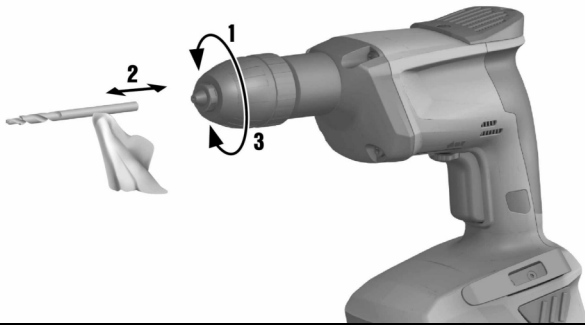


4



5





SF BT 22-A

en	Original operating instructions	1
he	הוראות הפעלה מקוריות	10

Original operating instructions

1 Information about the operating instructions

1.1 About these operating instructions

- **Warning!** Read and understand all accompanying documentation, including but not limited to instructions, safety warnings, illustrations, and specifications provided with this product. Familiarize yourself with all the instructions, safety warnings, illustrations, specifications, components, and functions of the product before use. Failure to do so may result in electric shock, fire, and/or serious injury. Save all warnings and instructions for future reference.
- products are designed for professional users and only trained, authorized personnel are permitted to operate, service and maintain the products. This personnel must be specifically informed about the possible hazards. The product and its ancillary equipment can present hazards if used incorrectly by untrained personnel or if used not in accordance with the intended use.
- The accompanying documentation corresponds to the current state of the art at the time of printing. Please always check for the latest version on the product's page on Hilti's website. To do this, follow the link or scan the QR code in this documentation, marked with the symbol .
- Ensure that these operating instructions are with the product when it is given to other persons.

1.2 Explanation of symbols

1.2.1 Warnings

Warnings alert persons to hazards that occur when handling or using the product. The following signal words are used:

DANGER

DANGER !

- ▶ Draws attention to imminent danger that will lead to serious personal injury or fatality.

WARNING

WARNING !

- ▶ Draws attention to a potential threat of danger that can lead to serious injury or fatality.

CAUTION

CAUTION !

- ▶ Draws attention to a potentially dangerous situation that could lead to personal injury or damage to the equipment or other property.

1.2.2 Symbols in the operating instructions

The following symbols are used in these operating instructions:

	Comply with the operating instructions
	Instructions for use and other useful information
	Dealing with recyclable materials
	Do not dispose of electric equipment and batteries as household waste
	Hilti Li-ion battery
	Hilti charger

1.2.3 Symbols in illustrations

The following symbols are used in illustrations:

- 2** These numbers refer to the illustrations at the beginning of these operating instructions.



3	The numbers in illustrations refer to important work steps or to components important for the work steps. In the text, the corresponding numbers draw attention to these work steps or components, e.g. (3).
	Item reference numbers are used in the overview illustration and refer to the numbers used in the key in the product overview section.
	This symbol is intended to draw your special attention to certain points for handling the product.

1.3 Product-dependent symbols

1.3.1 Symbols on the product

The following symbols can be used on the product:

	The power tool supports near-field communication (NFC) technology, which is compatible with iOS and Android platforms.
	Hilti Li-ion battery type series used. Observe the information given in the section headed Intended use .
Li-ion	Li-ion battery
	Never use the battery as a striking tool.
	Do not drop the battery. Never use a battery that has suffered an impact or is damaged in any other way.
n_0	Rated speed under no load
/min	Revolutions per minute
	Direct current (DC)
\emptyset	Diameter

2 Safety

2.1 General power tool safety warnings

⚠ WARNING Read all safety warnings, instructions, illustrations and specifications provided with this power tool. Failure to follow all instructions listed below may result in electric shock, fire and/or serious injury. **Save all warnings and instructions for future reference.**

The term "power tool" in the warnings refers to your mains-operated (corded) power tool or battery-operated (cordless) power tool.

Work area safety

- ▶ **Keep work area clean and well lit.** Cluttered or dark areas invite accidents.
- ▶ **Do not operate power tools in explosive atmospheres, such as in the presence of flammable liquids, gases or dust.** Power tools create sparks which may ignite the dust or fumes.
- ▶ **Keep children and bystanders away while operating a power tool.** Distractions can cause you to lose control.

Electrical safety

- ▶ **Power tool plugs must match the outlet. Never modify the plug in any way. Do not use any adapter plugs with earthed (grounded) power tools.** Unmodified plugs and matching outlets will reduce risk of electric shock.
- ▶ **Avoid body contact with earthed or grounded surfaces, such as pipes, radiators, ranges and refrigerators.** There is an increased risk of electric shock if your body is earthed or grounded.
- ▶ **Do not expose power tools to rain or wet conditions.** Water entering a power tool will increase the risk of electric shock.
- ▶ **Do not abuse the cord. Never use the cord for carrying, pulling or unplugging the power tool. Keep cord away from heat, oil, sharp edges or moving parts.** Damaged or entangled cords increase the risk of electric shock.



- ▶ **When operating a power tool outdoors, use an extension cord suitable for outdoor use.** Use of a cord suitable for outdoor use reduces the risk of electric shock.
- ▶ **If operating a power tool in a damp location is unavoidable, use a residual current device (RCD) protected supply.** Use of an RCD reduces the risk of electric shock.

Personal safety

- ▶ **Stay alert, watch what you are doing and use common sense when operating a power tool. Do not use a power tool while you are tired or under the influence of drugs, alcohol or medication.** A moment of inattention while operating power tools may result in serious personal injury.
- ▶ **Use personal protective equipment. Always wear eye protection.** Protective equipment such as a dust mask, non-skid safety shoes, hard hat or hearing protection used for appropriate conditions will reduce personal injuries.
- ▶ **Prevent unintentional starting. Ensure the switch is in the off-position before connecting to power source and/or battery pack, picking up or carrying the tool.** Carrying power tools with your finger on the switch or energising power tools that have the switch on invites accidents.
- ▶ **Remove any adjusting key or wrench before turning the power tool on.** A wrench or a key left attached to a rotating part of the power tool may result in personal injury.
- ▶ **Do not overreach. Keep proper footing and balance at all times.** This enables better control of the power tool in unexpected situations.
- ▶ **Dress properly. Do not wear loose clothing or jewellery. Keep your hair and clothing away from moving parts.** Loose clothes, jewellery or long hair can be caught in moving parts.
- ▶ **If devices are provided for the connection of dust extraction and collection facilities, ensure these are connected and properly used.** Use of dust collection can reduce dust-related hazards.
- ▶ **Do not let familiarity gained from frequent use of tools allow you to become complacent and ignore tool safety principles.** A careless action can cause severe injury within a fraction of a second.

Power tool use and care

- ▶ **Do not force the power tool. Use the correct power tool for your application.** The correct power tool will do the job better and safer at the rate for which it was designed.
- ▶ **Do not use the power tool if the switch does not turn it on and off.** Any power tool that cannot be controlled with the switch is dangerous and must be repaired.
- ▶ **Disconnect the plug from the power source and/or remove the battery pack, if detachable, from the power tool before making any adjustments, changing accessories, or storing power tools.** Such preventive safety measures reduce the risk of starting the power tool accidentally.
- ▶ **Store idle power tools out of the reach of children and do not allow persons unfamiliar with the power tool or these instructions to operate the power tool.** Power tools are dangerous in the hands of untrained users.
- ▶ **Maintain power tools and accessories. Check for misalignment or binding of moving parts, breakage of parts and any other condition that may affect the power tool's operation. If damaged, have the power tool repaired before use.** Many accidents are caused by poorly maintained power tools.
- ▶ **Keep cutting tools sharp and clean.** Properly maintained cutting tools with sharp cutting edges are less likely to bind and are easier to control.
- ▶ **Use the power tool, accessories and tool bits etc. in accordance with these instructions, taking into account the working conditions and the work to be performed.** Use of the power tool for operations different from those intended could result in a hazardous situation.
- ▶ **Keep handles and grasping surfaces dry, clean and free from oil and grease.** Slippery handles and grasping surfaces do not allow for safe handling and control of the tool in unexpected situations.

Battery tool use and care

- ▶ **Recharge only with the charger specified by the manufacturer.** A charger that is suitable for one type of battery pack may create a risk of fire when used with another battery pack.
- ▶ **Use power tools only with specifically designated battery packs.** Use of any other battery packs may create a risk of injury and fire.
- ▶ **When battery pack is not in use, keep it away from other metal objects, like paper clips, coins, keys, nails, screws or other small metal objects, that can make a connection from one terminal to another.** Shorting the battery terminals together may cause burns or a fire.
- ▶ **Under abusive conditions, liquid may be ejected from the battery; avoid contact. If contact accidentally occurs, flush with water. If liquid contacts eyes, additionally seek medical help.** Liquid ejected from the battery may cause irritation or burns.
- ▶ **Do not use a battery pack or tool that is damaged or modified.** Damaged or modified batteries may exhibit unpredictable behaviour resulting in fire, explosion or risk of injury.



- ▶ **Do not expose a battery pack or tool to fire or excessive temperature.** Exposure to fire or temperature above 130° C (265 °F) may cause explosion.
- ▶ **Follow all charging instructions and do not charge the battery pack or tool outside the temperature range specified in the instructions.** Charging improperly or at temperatures outside the specified range may damage the battery and increase the risk of fire.

Service

- ▶ **Have your power tool serviced by a qualified repair person using only identical replacement parts.** This will ensure that the safety of the power tool is maintained.
- ▶ **Never service damaged battery packs.** Service of battery packs should only be performed by the manufacturer or authorized service providers.

2.2 Drill safety warnings

Safety instructions for all operations

- ▶ **Hold the power tool by insulated gripping surfaces, when performing an operation where the cutting accessory or fasteners may contact hidden wiring.** Cutting accessory or fasteners contacting a "live" wire may make exposed metal parts of the power tool "live" and could give the operator an electric shock.

Safety instructions when using long drill bits

- ▶ **Never operate at higher speed than the maximum speed rating of the drill bit.** At higher speeds, the bit is likely to bend if allowed to rotate freely without contacting the workpiece, resulting in personal injury.
- ▶ **Always start drilling at low speed and with the bit tip in contact with the workpiece.** At higher speeds, the bit is likely to bend if allowed to rotate freely without contacting the workpiece, resulting in personal injury.
- ▶ **Apply pressure only in direct line with the bit and do not apply excessive pressure.** Bits can bend causing breakage or loss of control, resulting in personal injury.

2.3 Additional safety instructions

Personal safety

- ▶ Use the tool only when it is in technically faultless condition.
- ▶ Never tamper with or modify the power tool in any way.
- ▶ Always hold the tool with the hand on the grip provided. Keep the grip clean and dry.
- ▶ Avoid touching rotating parts – risk of injury!
- ▶ Wear suitable eye protection, a hard hat, ear protection, and light respiratory protection while the product is in use.
- ▶ Wear protective gloves also when changing the tool. Touching the accessory tool can result in cuts and burns.
- ▶ Wear eye protection. Flying fragments present a risk of injury to the body and eyes.
- ▶ Take breaks and do physical exercises to improve the blood circulation in your fingers. Exposure to vibration during long periods of work can lead to disorders of the blood vessels and nervous system in the fingers, hands and wrists.
- ▶ Use a dust removal system and suitable vacuum cleaner whenever possible. Dust from materials, such as paint containing lead, some kinds of wood, concrete / masonry / stone containing silica, and minerals as well as metal, may be injurious to health.
- ▶ Keep the power tool out of reach of children. The power tool is not intended for use by inexperienced persons who have received no special training.
- ▶ Observe the national health and safety requirements.

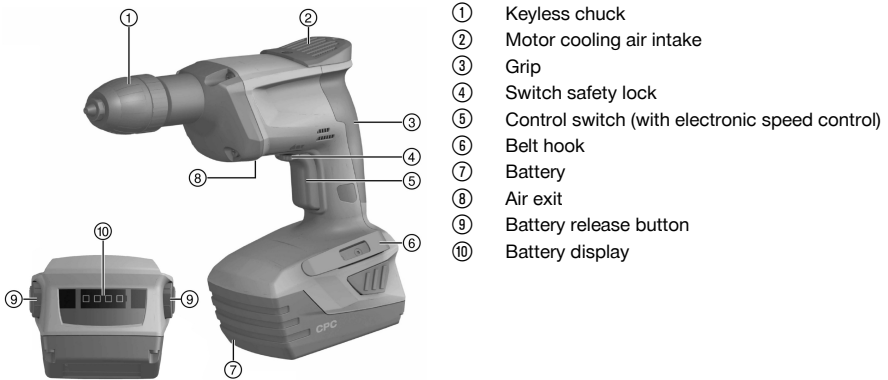
Careful handling and use of batteries

- ▶ Do not use the battery as a power source for other unspecified appliances.
- ▶ Observe the special guidelines applicable to the transport, storage and use of lithium-ion batteries.
- ▶ Do not expose batteries to high temperatures, direct sunlight or fire.
- ▶ Do not disassemble, squash or incinerate batteries and do not subject them to temperatures over 80°C.
- ▶ Do not attempt to charge or continue to use damaged batteries.
- ▶ If the battery is too hot to touch it may be defective. In this case, place the power tool in a non-flammable location, well away from flammable materials, where it can be kept under observation and allowed to cool down. Contact **Hilti Service** after the battery has cooled down.



3 Description

3.1 Overview of the product 1



3.2 Intended use

The product described is a hand-held cordless drill designed for drilling blind holes in steel using **Hilti TX-BT...** stepped drill bits which is a prerequisite for driving **Hilti X-BT** threaded studs.

- Use only **Hilti** lithium-ion batteries of the B 22 series with this product.
- Use only **Hilti**-approved battery chargers to charge these batteries. More information is available from your **Hilti Store** or from www.hilti.group

3.3 Switch-on interlock 2

The tool is equipped with a switch safety lock that can be used to lock the control switch, thereby preventing inadvertent starting.

Switch positions

- If the switch safety lock is positioned longitudinally, i.e. in line with the working direction of the drill, the control switch is locked (the switch-on interlock is active).
- If the switch safety lock is pointing to the left relative to the working direction of the drill, the control switch is free to operate (the switch-on interlock is deactivated).

3.4 Overload and overheating protection

The power tool is equipped with an electronic system to protect against overloading and overheating. The power tool switches itself off automatically in the event of overloading or overheating. After releasing the control switch, the power tool may not restart immediately when the switch is pressed again (while the power tool is cooling down).



Activation of the automatic cut-out is indicated by all 4 LEDs on the battery display blinking.

3.5 Li-ion battery display

The charge status of the Li-ion battery and malfunctions of the power tool are indicated by the display on the Li-ion battery. The charge status of the Li-ion battery is displayed after pressing one of the two battery release buttons.

Status	Meaning
4 LEDs light.	Charge status: 75 % to 100 %
3 LEDs light.	Charge status: 50 % to 75 %
2 LEDs light.	Charge status: 25 % to 50 %
1 LED lights.	Charge status: 10 % to 25 %



Status	Meaning
1 LED blinks, the power tool is ready for use.	Charge status: < 10 %
1 LED blinks, the power tool is not ready for use.	The battery has overheated or is completely discharged.
4 LEDs blink, the power tool is not ready for use.	The power tool is overloaded or has overheated.

Battery charge status cannot be displayed while the control switch is pressed and for up to 5 seconds after releasing the control switch.
If the battery display LEDs blink, please observe the instructions given in the Troubleshooting section.

3.6 Items supplied

Electric drill, operating instructions.

Other system products approved for use with this product can be found at your local **Hilti Store** or at: www.hilti.group

4 Technical data

4.1 Drill

Product generation	01
Rated voltage	21.6 V
Weight in accordance with EPTA Procedure 01 including B228.0 battery	2.6 kg
Torque	≤ 9 Nm
Keyless chuck clamping range	1 mm ... 10 mm

4.2 Noise information and vibration values

The sound pressure and vibration values given in these instructions were measured in accordance with a standardized test and can be used to compare one power tool with another. They can also be used for a preliminary assessment of exposure.

The data given represent the main applications of the power tool. However, if the power tool is used for different applications, with different accessory tools, or is poorly maintained, the data can vary. This can significantly increase exposure over the total working period.

An accurate estimation of exposure should also take into account the times when the power tool is switched off, or when it is running but not actually being used for a job. This can significantly reduce exposure over the total working period.

Identify additional safety measures to protect the operator from the effects of noise and/or vibration, for example: maintaining the power tool and accessory tools, keeping the hands warm, organization of work patterns.

Detailed information on the versions of the **EN 62841** standards applied here is to be found in the reproduction of the declaration of conformity 18.

Noise emission values determined in accordance with EN 62841

	SF BT 22-A
Emission sound pressure level (L_{pA})	74 dB(A)
Uncertainty for the sound pressure level (K_{pA})	3 dB(A)
Sound (power) level (L_{WA})	82 dB(A)
Uncertainty for the sound power level (K_{WA})	3 dB(A)

Total vibration (vector sum of three directions), measured in accordance with EN 62841

	SF BT 22-A
Vibration emission value for drilling in metal ($a_{h, D}$)	3.5 m/s ²
Uncertainty for drilling in metal (K)	1.5 m/s ²



5 Operation

5.1 Inserting the battery

CAUTION

Risk of injury. The drill may start inadvertently.

- ▶ Before fitting the battery, check that the drill is switched off and that the switch-on interlock is activated.

CAUTION

Electrical hazard. Dirty contacts may cause a short circuit.

- ▶ Before inserting the battery, check to ensure that the battery terminals and the contacts on the drill are free from foreign objects.

CAUTION

Risk of injury. If the battery is not fitted correctly it may drop out and fall.

- ▶ Check that the battery is securely seated in the drill so that it cannot drop out and fall, thereby presenting a hazard to other persons.
- ▶ Push the battery into the drill from the rear until it is heard to engage with a click.

5.2 Removing the battery

- ▶ Remove the battery.

5.3 Fitting the belt hook (optional)

WARNING

Risk of injury! Hazard presented by a falling power tool.

- ▶ A falling power tool may present a risk of injury to yourself and others. Check that the belt hook is fitted securely before beginning work.



The belt hook allows the drill to be attached to a belt worn by the operator. The belt hook can be fitted to allow attachment on the left or right side of the body.

- ▶ Fit the belt hook on the appropriate side of the drill.

5.4 Fitting or removing accessory tools

CAUTION

Risk of injury. The drill may start inadvertently.

- ▶ Make sure that the switch-on interlock has been activated or that the battery has been removed from the drill.
1. Open the keyless chuck.
 2. Check that the connection end of the accessory tool is clean and then insert it in the keyless chuck or, respectively, pull the accessory tool out of the keyless chuck.
 3. Retighten the keyless chuck.

5.5 Switching on

- ▶ Press the control switch.



The running speed can be controlled smoothly right up to maximum speed by varying how far the control switch is pressed in.

5.6 Switching off

- ▶ Release the control switch.



6 Care and maintenance

WARNING

Electrical hazards. Improper repairs to electrical parts may lead to serious injuries.

- ▶ Electrical parts may be repaired only by trained electrical specialists.



To help ensure safe and reliable operation, use only genuine Hilti spare parts and consumables. Spare parts, consumables and accessories approved by Hilti for use with the product can be found at your local **Hilti Center** or online at: **www.hilti.com**

- ▶ Keep the tool, especially its grip surfaces, clean and free from oil and grease.
- ▶ Do not use cleaning agents containing silicone.
- ▶ Never operate the power tool when the ventilation slots are blocked. Clean the air vents carefully using a dry brush. Do not permit foreign objects to enter the interior of the tool.
- ▶ Clean the outside of the tool at regular intervals with a slightly damp cloth. Do not use a spray, steam pressure cleaning equipment or running water for cleaning. This may negatively affect the electrical safety of the power tool.

7 Transport and storage of cordless tools and batteries

Transport

CAUTION

Accidental starting during transport !

- ▶ Always transport your products with the batteries removed!
- ▶ Remove the battery/batteries.
- ▶ Never transport batteries loose and unprotected. During transport, batteries should be protected from excessive shock and vibration and isolated from any conductive materials or other batteries that may come in contact with the terminals and cause a short circuit. **Comply with the locally applicable regulations for transporting batteries.**
- ▶ Do not send batteries through the mail. Consult your shipper for instructions on how to ship undamaged batteries.
- ▶ Prior to each use and before and after prolonged transport, check the product and the batteries for damage.

Storage

WARNING

Accidental damage caused by defective or leaking batteries !

- ▶ Always store your products with the batteries removed!
- ▶ Store the product and the batteries in a cool and dry place. Comply with the temperature limits stated in the technical data.
- ▶ Do not store batteries on the charger. Always remove the battery from the charger when the charging operation has completed.
- ▶ Never leave batteries in direct sunlight, on sources of heat, or behind glass.
- ▶ Store the product and batteries where they cannot be accessed by children or unauthorized persons.
- ▶ Prior to each use and before and after prolonged storage, check the product and the batteries for damage.

8 Troubleshooting

If the trouble you are experiencing is not listed in this table or you are unable to remedy the problem by yourself, please contact **Hilti Service**.

Trouble or fault	Possible cause	Action to be taken
The battery doesn't engage with an audible double click.	The retaining lugs on the battery are dirty.	▶ Clean the retaining lugs and push the battery in until it engages. Contact Hilti Service if the problem persists.



Trouble or fault	Possible cause	Action to be taken
The control switch can't be pressed, i.e. the switch is locked.	The switch-on interlock is activated.	▶ Push the switch safety lock to the side (to the left as seen from the working direction).
The power tool doesn't run.	The battery is not fully inserted.	▶ Push the battery in until it engages with an audible click.
The tool doesn't work and one LED blinks.	Battery is discharged.	▶ Change the battery and charge the empty battery.
The tool cuts out while operating, the 4 LEDs on the battery display blink.	The overload cut-out has been activated.	▶ Release the control switch and then press it again.
	The overheating cut-out has been activated.	▶ Allow the power tool to cool down. Clean the air vents.
The battery runs down more quickly than usual.	Very low ambient temperature.	▶ Allow the battery to warm up slowly to room temperature.
The tool or battery gets very hot.	The tool is overloaded (application limits exceeded).	▶ Pay attention to the power and performance rating of the product before using it, i.e. check its suitability for the job on hand. See "Technical data" section.

9 Manufacturer's warranty

- ▶ Please contact your local **Hilti** representative if you have questions about the warranty conditions.



1.1 על הוראות הפעלה אלו

- **אזהרה!** לפני השימוש במוצר יש לקרוא ולהבין את הוראות הפעלה המצורפות למוצר, כולל ההערות, הוראות הבטיחות והאזהרות, האיורים והמפרטים. יש ללמוד במיוחד את כל הוראות הבטיחות, האזהרות, המפרטים והפונקציות השונות של המוצר. התעלמות מהנחיה זו מובילה לסכנת התחשמלות, שריפה ופציעות קשות. שמור את הוראות הפעלה, כולל כל הוראות הבטיחות והאזהרות לצורך שימוש בעתיד.
- המוצרים של **HILTI** מיועדים למשתמש המקצועי, ורק אנשים מורשים, שעברו הכשרה מתאימה, רשאים לתפעל, לתחזק ולתקן אותם. אנשים אלה חייבים ללמוד באופן מיוחד את הסכנות האפשריות. המוצר המתואר והעדרים שלו עלולים להיות מסוכנים כאשר אנשים שלא עברו הכשרה מתאימה משתמשים בהם באופן לא מקצועי או כאשר משתמשים בהם שלא בהתאם לייעוד.
- הוראות הפעלה המצורפות נכתבו בהתאם לידיעות הטכנולוגיות במועד השליחה לדפוס. את הגרסה העדכנית ביותר אפשר למצוא תמיד בדף המוצר של Hilti. כדי להגיע לשם, יש לסרוק את קוד ה-QR בהוראות הפעלה האלה, מסומן בסמל .
- אם אתה מעביר את המוצר לאדם אחר, מסור לו גם את הוראות הפעלה האלה.

1.2 הסבר הסימנים

1.2.1 אזהרות

האזהרות מזיהרות מפני סכנות בשימוש במוצר. במדריך זה מופיעות מילות המפתח הבאות:

סכנה

סכנה!

מציינת סכנה מיידית, המובילה לפציעות גוף קשות או למוות.

אזהרה

אזהרה!

מציינת סכנה אפשרית, שיכולה להוביל לפציעות גוף קשות או למוות.

זהירות

זהירות!

מציינת מצב שעלול להיות מסוכן ולהוביל לפציעות גוף או לנזקים לרכוש.

1.2.2 סמלים בהוראות הפעלה

הסמלים הבאים מופיעים בהוראות הפעלה אלה:

שים לב להוראות הפעלה	
הנחיות לשימוש ומידע שימושי נוסף	
טיפול נכון בחומרים למיחזור	
אין להשליך לפסולת הביתית מכשירים חשמליים וסוללות	
Hilti סוללת ליתיום-יון	
Hilti מטען	

1.2.3 סמלים באיורים

הסמלים הבאים משמשים באיורים:

מספרים אלה מפנים לאיור המתאים בתחילת הוראות הפעלה אלה.	2
המספרים באיורים מפנים לשלבי עבודה חשובים או לרכיבים שחשובים לשלבי העבודה. שלבי עבודה אלה או רכיבים אלה מודגשים בטקסט במספרים מתאימים, לדוגמה (3).	3
מספרי הפריטים מופיעים באיור סקירה ותואמים את המספרים במקרא בפרק סקירת המוצר .	11



סימן זה אמור לעורר את תשומת לבך המיוחדת בעת השימוש במוצר.

1.3 סמלים ספציפיים למוצר

1.3.1 סמלים על המוצר

הסמלים הבאים עשויים להופיע על המוצר:

המכשיר תומך בטכנולוגיית NFC, התואמת את פלטפורמות iOS ו-Android.	
סדרת דגמי סוללות ליתיום-יון של Hilti שבשימוש. שים לב לנתונים בפרק שימוש בהתאם ליעוד.	
סוללת ליתיום-יון	Li-Ion
לעולם אין להשתמש בסוללה כפטיש.	
אין להפיל את הסוללה. אין להשתמש בסוללה שנחבטה או שניזוקה באופן אחר.	
מהירות סרק נקובה	n_0
סיבובים לדקה	/min
זרם ישר	==
קוטר	\emptyset

2 בטיחות

2.1 הוראות בטיחות כלליות לכלי עבודה חשמליים

⚠ אזהרה קרא את כל הוראות הבטיחות, ההנחיות, האיוורים והנתונים הטכניים המוצגים לכלי העבודה החשמלי. אי ציות להנחיות עלול להוביל להתחשמלות, לשרפה ו/או לפציעות קשות.

שמור את כל הוראות הבטיחות וההנחיות לעיון בעתיד.

המונח "כלי עבודה חשמלי" המשמש בהוראות הבטיחות מתייחס לכלי עבודה חשמליים המחוברים לרשת החשמל (עם כבל חשמל) או לכלי עבודה חשמליים המופעלים באמצעות סוללה נטענת (ללא כבל חשמל).

בטיחות במקום העבודה

- ◀ **שמור על אזור העבודה שלך כקי ודאג לתאורה מספקת.** חוסר סדר או תאורה לקויה במקום העבודה עלולים לגרום לתאונות.
- ◀ **אין להפעיל את כלי העבודה החשמלי בסביבה שקיימת בה סכנת פיצוץ או שיטתם בה נחלים, גזים או אבק דליקים.** כלי עבודה חשמליים יוצרים ניצוצות, שעלולים להצית את האבק או האדים.
- ◀ **הרחק ילדים ואנשים אחרים מכלי העבודה החשמלי במהלך השימוש בו.** אם דעתך תוסח אתה עלול לאבד את השליטה במכשיר.

בטיחות בחשמל

- ◀ **תקע החשמל של כלי העבודה החשמלי חייב להתאים לשקע החשמל.** אסור לשובת בשום אופן את תקע החשמל. אל תשתמש בשקע מתאם ביחד עם כלי עבודה חשמליים הכוללים הגנת הארקה. שימוש בתקעים חשמליים שלא עברו שינוי ושקעי חשמל מתאימים מפחית את הסיכון להתחשמלות.
- ◀ **מנע מגע של הגוף בשטחים מוארקים כגון צינורות, גופי חימום, תנורים ומקררים.** קיימת סכנה גבוהה להתחשמלות כאשר הגוף שלך מוארק.
- ◀ **הרחק כלי עבודה חשמליים מגשם או רטיבות.** חדירת מים לכלי העבודה החשמלי מגדילה את הסיכון להתחשמלות.
- ◀ **אל תשתמש בכבל החשמל למטרות שלא לשמן הוא נועד, לדוגמה: אל תרים את כלי העבודה החשמלי באמצעות הכבל ואל תנסה לנתק את התקע משקע החשמל במשיכה מהכבל.** הרחק את הכבל מחום, שמן, פינות חדות או מחלקים נעים. כבלים שניזוקו או שהסתככו בחלקים אחרים מגדילים את הסיכון להתחשמלות.
- ◀ **כאשר אתה עובד עם כלי העבודה החשמלי בחוץ, השתמש רק בכבל מאריך המיועד לשימוש חיצוני.** שימוש בכבל מאריך המתאים לשימוש חיצוני מפחית את הסיכון להתחשמלות.
- ◀ **אם לא ניתן להימנע משימוש בכלי העבודה החשמלי בסביבה לחה, השתמש בממסר פחת.** השימוש בממסר פחת מפחית את הסיכון להתחשמלות.



בטיחות של אנשים

- ◀ היה ערבי, שים לב למה שאתה עושה, ופעל בתבונה כאשר אתה עובד עם כלי עבודה חשמלי. אל הפעיל כלי עבודה חשמליים כשאתה עייף או תחת השפעת סמים, אלכוהול או תרופות. די ברגע אחד של חוסר תשומת-לב בזמן השימוש בכלי העבודה החשמלי כדי לגרום פציעות שטות.
- ◀ **לבש תמיד ציוד מגן ומשקפי מגן.** לבישת ציוד מגן אישי, כגון מסכת אבק, נעלי בטיחות מונעות החלקה, קסדת מגן או מגני שמיעה - בהתאם לסוג השימוש בכלי העבודה החשמלי - מקטינה את הסיכון לפציעות.
- ◀ **מנע הפעלה בשוגג.** ודא שכלי העבודה החשמלי כבוי לפני שאתה מחבר אותו לאספקת החשמל ו/או לפני שאתה מחבר את הסוללה ולפני הרמתו. אל תניח את אצבעך על המתג בזמן שאתה נושא את המכשיר ואל תחבר אותו לאספקת החשמל כאשר הוא מופעל, אחרת עלולות להיגרם תאונות.
- ◀ **הרחק כלי כוונון או מפתחות ברגים לפני שאתה מפעיל את כלי העבודה החשמלי.** כלי עבודה או מפתחות הנמצאים בקרבת חלקים מסתובבים עלולים לגרום פציעות.
- ◀ **הימנע מתנוחות גוף לא נכונות.** עמוד באופן יציב ושומר תמיד על שיווי משקל. כך תוכל לשלוט טוב יותר בכלי העבודה החשמלי במצבים לא צפויים.
- ◀ **לבש בגדים מתאימים.** אל תלבש בגדים רחבים או תכשיטים. הרחק את השער, הבגדים וכפפות מחלקים נעים. בגדים רופפים, תכשיטים ושיער ארוך עלולים להיתפס בחלקים נעים.
- ◀ **כאשר אתי להתקין ולתקן שאיבת אבק ולכידה יש לודא שהם מחוברים לחשמל, ויש להקפיד להשתמש בהם בצורה נכונה.** שימוש בהתקן שאיבת אבק מקטין את הסכנות הנובעות מהאבק.
- ◀ **אל תהיה שאנן בנושאי בטיחות ואל תתעלם מהוראות בטיחות של כלי עבודה חשמליים, גם אם שהשתמשת במכשיר פעמים רבות ואתה מכיר אותו היטב.** התנהגות רשלנית עלולה להוביל לפציעות קשות בתוך שניות.

שימוש וטיפול בכלי העבודה החשמלי

- ◀ **אל הפעיל עומס רב מדי על המכשיר.** השתמש בכלי העבודה החשמלי המתאים לעבודה שאתה מבצע. כלי העבודה החשמלי המתאים מבטיח לך עבודה טובה ובטוחה יותר בתחום ההספק הנקוב.
- ◀ **אל תשתמש בכלי העבודה אם המתג שלו אינו תקין.** כלי עבודה חשמלי שלא ניתן עוד להפעיל או לכבות אותו מהווה סכנה ויש לתקבו.
- ◀ **נתק את תקע החשמל מהשקע ו/או הסר את הסוללה לפני שאתה מבצע כוונונים במכשיר, מחליף כלים או לאחר שאתה מפסיק לעבוד עם המכשיר.** אמצעי זהירות זה מונע הפעלה בשוגג של כלי העבודה החשמלי.
- ◀ **שמור כלי עבודה חשמליים שאינם בשימוש הרחק מהישג ידם של ילדים.** אל תאפשר לאנשים שאינם יודעים כיצד להשתמש במכשיר או שלא קראו את ההוראות להשתמש במכשיר. כלי עבודה חשמליים הם מסוכנים כאשר משתמשים בהם אנשים חסרי ניסיון.
- ◀ **טפל בכלי עבודה חשמליים ובאביזרים בהקפדה.** בדוק אם החלקים הנעים פועלים בצורה חלקה ואינם נתקעים, אם ישנם חלקים שבורים או מקולקלים המשבשים את הפעולה התקינה של כלי העבודה החשמלי. לפני השימוש במכשיר דאג לתיקון חלקים לא תקינים. תאונות רבות נגרמו עקב תחזוקה לקויה של כלי עבודה חשמליים.
- ◀ **שמור על כלי החיתוך חדים ונקיים.** כלי חיתוך מטופלים היטב, שלהביהם חדים נתקעים פחות וקלים יותר לתפעול.
- ◀ **השתמש בכלי העבודה החשמלי, באביזרים, בכלי העבודה הנוספים וכן הלאה בהתאם להוראות אלה.** התחשב בתנאי העבודה ובפעולה שעליך לבצע. שימוש בכלי העבודה החשמלי למטרות אחרות מאלה שלשמן הוא מיועד עלול להיות מסוכן.
- ◀ **שמור על ידיות ואזורים אחיזה נקיים מכלוך משומן ומגריז.** ידיות ואזורים אחיזה חלקים אינם מאפשרים תפעול בטוח ושליטה טובה בכלי העבודה החשמלי במצבים לא צפויים.

שימוש וטיפול בכלי עבודה נטענים

- ◀ **טען את הסוללות רק במטענים שהומלצו על ידי היצרן.** טעינה של סוללה במטען המיועד לטעינה של סוללות מסוג אחר עלולה לגרום לשרפה.
- ◀ **השתמש לשם כך רק בסוללות המתאימות לכלי העבודה החשמלי.** שימוש בסוללות אחרות עלול לגרום לשרפות.
- ◀ **שמור סוללות שאינן בשימוש הרחק ממהדקי בייר משרדיים, ממטבעות, מפתחות, מסמרים, ברגים או חפצים מתכתיים קטנים אחרים שיכולים לגשר בין הנגעים.** קצר בין מגעי הסוללה עלול לגרום לכוויות או לשרפה.
- ◀ **שימוש שגוי עלול לגרום לזליפת נוזלים מהסוללה.** אל תיגע בנוזלים אלה. אם נגעת בהם במקרה, שטוף את האזור במים. אם הנוזל נוגע בעיניים, פנה לרופא. נחל סוללות שדלף עלול לגרום לגירויים בעור ולכוויות.
- ◀ **אין להשתמש בסוללה ששונתה או שניזוקה.** סוללות שניזוקו או שנערכו בהן שינויים עשויים להגיב בצורה לא צפויה ולגרום לשרפה, לפיצוץ ולפציעות.
- ◀ **אין לחשוף סוללות לאש או לממפרטורות גבוהות.** אש או ממפרטורות גבוהות מ-130°C (265°F) עלולות לגרום לפיצוץ.
- ◀ **ציית לכל ההנחיות הנוגעות לטעינה, ואף פעם אל תטען את הסוללה או את הכלי עם הסוללה בסביבה שהממפרטורה בה נמצאת מחוץ לטווח המצוין בהוראות ההפעלה.** טעינה שגויה או טעינה בממפרטורה שנמצאת מחוץ לטווח המצוין בהוראות ההפעלה עלולה להרוס את הסוללה ולהגביר את הסיכון לשרפה.

שירות

- ◀ **דאג לתיקון כלי העבודה החשמלי שלך רק בידי טכנאים מוסמכים, המשתמשים בחלקי חילוף מקוריים בלבד.** כך תבטיח שמירה על בטיחות העבודה במכשיר.
- ◀ **אל תספל בעצמך בסוללות שניזוקו.** רק היצרן או מעבדה מורשית מטעמו רשאים לטפל בסוללות.



2.2 הנחיות בטיחות למקדחות

הנחיות בטיחות לכל העבודות

כאשר אתה מבצע עבודות שבהן הכלי המחובר או הברגים עלולים לפגוע בקווי חשמלי מוסתרים, אחז בכלי העבודה החשמלי באזורי האחזיה המבודדים. מגע בקווים המוליכים זרם עלול להעביר זרם גם לחלקים מתכתיים במכשיר שלך ולגרום להתחשמלות.

הנחיות בטיחות לשימוש במקדחים ארוכים

- ▶ בשום אופן אין לעבוד בסל"ד גבוה מהסל"ד המקסימלי המותר עבור המקדח. קידוח בסל"ד גבוה יותר עשוי לגרום למקדח להתעקם מעט כאשר הוא מסתובב בחופשיות ללא מגע בחלק שבעבודה ולגרום לפציעות.
- ▶ התחל כל קידוח בסל"ד נמוך, כשהמקדח בוגע בחלק שבעבודה. קידוח בסל"ד גבוה יותר עשוי לגרום למקדח להתעקם מעט כאשר הוא מסתובב בחופשיות ללא מגע בחלק שבעבודה ולגרום לפציעות.
- ▶ דחף את המקדח רק בכיוון האורכי ולא הפעלת לחץ מופרז. המקדחים עשויים להתעקם ועקב כך להישבר או לגרום לאובדן שליטה ולפציעות.

2.3 הוראות בטיחות נוספות

בטיחות של אנשים

- ▶ השתמש במכשיר רק בתנאי שהוא נמצא במצב טכני מושלם.
- ▶ אל תבצע בשום אופן מניפולציות או שינויים במכשיר.
- ▶ אחז במכשיר רק בידי האחיזה שלו. שמור על ידי האחיזה נקייה ויבשה.
- ▶ אין לגעת בחלקים מסתובבים – סכנת פציעה!
- ▶ במהלך השימוש במוצר יש ללבוש משקפי מגן, קסדת מגן, מגיני שמיעה ומסכת נשימה קלה.
- ▶ לבש כפפות בטיחות גם בעת החלפת כלי. מגע בכלי לגרום לפציעות ולכוויות.
- ▶ השתמש במגני עיניים. שבבי חומר שייתדים עלולים לפצוע את הגוף והעיניים.
- ▶ ערוך הפסקות בעבודה ותרגילים לשיפור זרימת הדם לאצבעות. הרעידות מהמכשיר עשויות לאחר עבודה ממושכת לגרום להפרעות בכלי הדם או במערכת העצבים של האצבעות, כפות הידיים או שורשי כף היד.
- ▶ השתמש במערכת שאיבת אבק או בשואב אבק נייד היכן שרק ניתן. אבק של חומרים דוגמת צבעים המכילים עופרת, סוגי עץ מסוימים, בטון / קירות / אבנים המכילות קוורץ ומינרלים כגון מתכת עלולים להזיק לבריאות.
- ▶ הרחק את המכשיר ממישג ידם של ילדים. המכשיר אינו מיועד לאנשים חלשים ללא הכשרה מתאימה.
- ▶ ציית לתקנות הבטיחות בעבודה התקפות במדינתך.

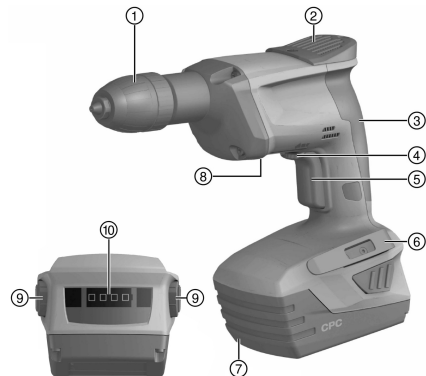
טיפול ושימוש קפדניים בסוללות נטענות

- ▶ אין להשתמש בסוללות כמקור אנרגיה למוצרים אחרים שלא עבורם הסוללות נועדו.
- ▶ ציית לתקנות הנוגעות להובלה, אחסון והפעלה של סוללות נטענות מסוג ליתיום-יון.
- ▶ הרחק את הסוללות ממקומות חמים מאוד, מקרינת שמש ישירה ומאש.
- ▶ אין לפרק, למעוך, לחמם לטמפרטורה גבוהה מ-80°C או לשרוף את הסוללות הנטענות.
- ▶ אין להשתמש בסוללות פגומות ואין לטעון אותן.
- ▶ אם הסוללה חמה כל כך שלא ניתן לגעת בה, ייתכן שהיא אינה תקינה. העמד את המכשיר במקום לא דליק במרחק מספיק מחומרים דליקים, כך שתוכל להשגיח עליו, ואפשר לו להתקרר. צור קשר עם השירות Hilti לאחר שהסוללה התקררה.

3 תיאור

3.1 סקירת המוצר 1

- ① תפסנית מהירה
- ② יניקת אוויר עבור קירור המנוע
- ③ ידית אחיזה
- ④ מתג חסימת הפעלה
- ⑤ מתג הפעלה (עם בקרת מהירות סיבוב אלקטרונית)
- ⑥ תפס לחגורה
- ⑦ סוללה
- ⑧ פתח יציאת אוויר
- ⑨ לחצן שחרור סוללה
- ⑩ חיוי סוללה



3.2 שימוש בהתאם לייעוד

המוצר המתואר הוא מקדחה ידנית המופעלת באמצעות סוללה נטענת ומיועדת לקידוח קדחים עיוורים בפלדה בעזרת המקדחים המזוהים של Hilti מדגמי TX-BT... כבסיס להחדרת מוטות תבריג של Hilti מדגמי X-BT.

- השתמש עבור מוצר זה רק בסוללות ליתיום-יון של Hilti מסדרת הדגמים B 22.
- השתמש עבור סוללות נטענות אלה רק במטענים שאושרו על ידי Hilti. מידע נוסף תמצא ב-Hilti Store או בכתובת: www.hilti.group

3.3 חסימת הפעלה

המכשיר כולל מתג חסימת הפעלה, המאפשר חסימה של מתג ההפעלה, כדי למנוע הפעלה בשוגג של המקדחה.

מצבי המתג

- כאשר מתג חסימת הפעלה ממוקם במקביל (לאורך) המקדחה, מתג ההפעלה חסום (חסימת ההפעלה פעילה).
- כאשר מתג חסימת הפעלה פונה שמאלה במבט בכיוון העבודה, ניתן ללחוץ על מתג ההפעלה (חסימת הפעלה מבוטלת).

3.4 הגנה מפני עומס-יתר והתחממות-יתר

המכשיר מצויד במפסק הגנה אלקטרוני מפני עומס יתר והתחממות יתר. במקרה של עומס יתר או התחממות יתר המכשיר יכבה באופן אוטומטי. אם תשחרר את מתג ההפעלה ותלחץ עליו מחדש, ייתכן שיחול עיכוב עד שהמכשיר יחזור לפעול (שלב קירור של המכשיר).

כאשר 4 הנוריות של הסוללה מהבהבות זהו סימן שבוצע כיבוי אוטומטי.



3.5 חייוי סוללת הליתיום-יון

החייויים בסוללת הליתיום-יון מציגים את רמת הטעינה של הסוללה ותקלות המכשיר. לאחר לחיצה על אחד משני לחצני השחרור של הסוללה תוצג רמת הטעינה של סוללת הליתיום-יון.

מצב	משמעות
4 נוריות מאירות.	רמת טעינה: 75% עד 100%
3 נוריות מאירות.	רמת טעינה: 50% עד 75%
2 נוריות מאירות.	רמת טעינה: 25% עד 50%
נורית 1 מאירה.	רמת טעינה: 10% עד 25%
נורית 1 מהבהבת, המכשיר מוכן לעבודה.	רמת טעינה: > 10%
נורית 1 מהבהבת, המכשיר אינו מוכן לעבודה.	הסוללה התחממה מדי או נפרקה לגמרי.
4 נוריות מהבהבות, המכשיר אינו מוכן לעבודה.	עומס יתר או התחממות יתר של המכשיר.

בזמן שמתג ההפעלה לחוץ וכן במשך 5 השניות הראשונות לאחר שחרור מתג ההפעלה לא ניתן לברר את מצב הטעינה של הסוללה.

אם נוריות החיווי של הסוללה מהבהבות, ראה בבקשה הערות בפרק פתרון תקלות.



3.6 מפרט אספקה

מקדחה, הוראות הפעלה.

מוצרים נוספים המאושרים עבור המוצר שלך תמצא ב-Hilti Store או בכתובת: www.hilti.group

4 נתונים טכניים

4.1 מקדחה

01	דור המוצר
21.6 וולט	מתח נקוב
2.6 ק"ג	משקל לפי EPTA Procedure 01 כולל סוללה B228.0
≥ 9 ניוטון-מ'	מומנט פיתול
1 מ"מ ... 10 מ"מ	טווח הידוק של התפסנית המהירה



4.2 מידע על רעשים וערכי רעידות

ערכי לחץ הקול והרעידות המצוינים בהוראות אלה נמדדו בהתאם לנוהל המדידה התקני, וניתן להשתמש בהם לצורך השוואה בין כלי עבודה חשמליים. הם מתאימים גם להערכה זמנית של העומסים.

הנתונים המצוינים תקפים לשימושים העיקריים בכלי העבודה החשמלי. אולם אם משתמשים בכלי העבודה החשמלי לשימושים אחרים, בשילוב אביזרים אחרים או אם המכשיר אינו עובר תחזוקה מספקת, הנתונים עשויים להשתנות. בעקבות זאת פריסת העומסים למשך זמן העבודה כולו עשויה להיות גבוהה באופן משמעותי.

לצורך הערכה מדויקת של העומסים יש לקחת בחשבון גם את הזמנים שבהם כלי העבודה כבוי או שבהם הוא אמנם פועל אך אינו בשימוש בפועל. בעקבות זאת פריסת העומסים למשך זמן העבודה כולו עשויה להיות נמוכה באופן משמעותי.

יש לקבוע הנחיות בטיחות נוספות להגנה על המשתמש מפני ההשפעות של קול ו/או רעידות, כגון: תחזוקה של כלי העבודה החשמלי ושל כלי העבודה המחוברים, שמירה על ידיים חמות, ארגון תהליכי העבודה.

מידע מפורט על גרסאות תקני EN 62841 הישירים ומצא בתמונת הצהרת התאימות 19.



ערכי פליטת הרעשים נמדדו בהתאם ל-EN 62841

SF BT 22-A	
74 dB(A)	רמת לחץ קול בפלטת (L_{pA})
3 dB(A)	אי-ודאות ברמת לחץ קול (K_{pA})
82 dB(A)	רמת הספק קול (L_{wA})
3 dB(A)	אי-ודאות ברמת הספק קול (K_{wA})

ערכי רעידות כוללים (סכום וקטורי של שלושה כיוונים), נמדדו לפי EN 62841

SF BT 22-A	
3.5 מ' /שנ ²	ערך פליטת רעידות בקידוח במתכת ($a_{n, s}$)
1.5 מ' /שנ ²	אי-ודאות קידוח במתכת (K)

5 תפעול

5.1 חיבור הסוללה

זהירות

סכנת פציעה. המקדחה עלולה להתחיל לפעולה בשוגג.

← לפני חיבור הסוללה ודא שהמקדחה כבויה וחסומת ההפעלה פעילה.

זהירות

סכנת חשמלית. מגעים מלוכלכים עלולים להוביל לקצר.

← ודא שהמגעים של הסוללה ושל המקדחה נקיים מגופים זרים לפני שאתה מחבר את הסוללה.

זהירות

סכנת פציעה. אם הסוללה אינה מחוברת כראוי היא עלולה ליפול.

← ודא שהסוללה מחוברת היטב למקדחה, כדי שהיא לא תיפול ותסכן אנשים אחרים.

← דחף את הסוללה מאחור אל המקדחה, עד שאתה שומע אותה ננעלת.

5.2 הסרת הסוללה

← הוצא את הסוללה.

5.3 התקנת תפס לחגורה (אופציונלי)

אזהרה

סכנת פציעה סכנה עקב נפילת המכשיר.

← מכשיר שנופל עלול לפצוע גם אותך וגם אחרים. ודא לפני תחילת העבודה שתפס החגורה מחובר היטב.



בעזרת תפס החגורה תוכל לחבר את המקדחה לחגורה. ניתן להתקין את תפס החגורה לצורך נשיאת המכשיר בצד שמאל או בצד ימין.

◀ חבר את תפס החגורה בצד המתאים של המקדחה.

5.4 התקנה או הסרה של כלי עבודה

זהירות

סכנת פציעה. המקדחה עלולה להתחיל לפעולה בשוגג.
 ◀ ודא שחסימת ההפעלה הופעלה או שהסוללה אינה מחוברת למקדחה.

1. פתח את התפסנית המהירה.
2. הכנס את כלי הקידוח, כאשר הקנה שלו נקי, אל התפסנית המהירה, לחלופין משוך את כלי הקידוח אל מחוץ לתפסנית המהירה.
3. הדק מחדש את התפסנית המהירה.

5.5 הפעלה

◀ לחץ על מתג ההפעלה.

ניתן לשלוט במהירות הסיבוב באמצעות עומק הלחיצה על מתג ההפעלה.

5.6 כיבוי

◀ שחרר את מתג ההפעלה.

6 טיפול ותחזוקה

אזהרה

סכנה עקב דרם חשמלי. תיקון לא מקצועי של חלקים חשמליים עלול לגרום לפציעות קשות.
 ◀ תיקונים בחלקים החשמליים יבוצעו רק בידי חשמלאים מוסמכים.

לצורך הפעלה בטוחה של המכשיר יש להשתמש רק בחלקי חילוף וחומרים מתכלים מקוריים. את חלקי החילוף, החומרים המתכלים והאביזרים שאושרו על-ידנו עבור המוצר שלך תמצא אצל משווק Hilti או בכתובת: www.hilti.com

- ◀ שמור על המכשיר, ובמיוחד על אזורי האחיזה, נקיים וללא שומן או גריד.
- ◀ אין להשתמש בחומרי טיפול המכילים סיליקון.
- ◀ לעולם אין להפעיל את המכשיר כאשר חריצי האווור סתומים! נקה את חריצי האווור בזהירות בעזרת מברשת יבשה. מנע חדירה של גופים זרים לתוך המכשיר.
- ◀ נקה את הצד החיצוני של המכשיר באופן סדיר באמצעות מטלית ניקוי לכה. אל תנקה באמצעות מכשיר רסס, מכשיר ניקוי בקיטור או מים זורמים! אמצעים אלה עלולים לסכן את הבטיחות החשמלית של המכשיר.

7 הובלה ואחסון של כלי עבודה בטענים וסוללות

הובלה

זהירות

התחלת פעולה בשוגג במהלך הובלה!

◀ יש להוביל את המכשיר כשהסוללה מנותקת ממנו!

- ◀ הוצא את הסוללה/ות.
- ◀ לעולם אין להוביל את הסוללה בצורה חופשית בין עצמים לא ארוצים. בזמן ההובלה הסוללות צריכות להיות מוגנות מפני חבטות ורעידות רבות וכן מבודדות מפני חומרים מוליכים כלשהם או סוללות אחרות, כדי שלא ייווצר מגע בינן לבין מגעים של סוללות אחרות ועקב כך קצר. **שים לב לכללי ההובלה במדינתך בנוגע לסוללות.**
- ◀ אסור לשלוח סוללות בדואר. אם אתה רוצה לשלוח סוללות לא פגומות, פנה לשם כך לחברת משלוחים והובלות.
- ◀ בדוק אם ישנם נדקים במוצר ובסוללות לפני כל שימוש וכן לפני הובלה ארוכה.



נזק לא מכון כשהסוללות פגומות או דולפות!

יש לאחסן את המכשיר כשהסוללה מנותקת ממנו!

- ◀ אחסן את המוצר והסוללות במקום קריר ויבש. שים לב לערכי הגבול של הטמפרטורה, כמצוין בנתונים הטכניים.
- ◀ אין לאחסן סוללות על המטען. הקפד להוציא את הסוללה מהמטען בסיום תהליך הטעינה.
- ◀ לעולם אין לאחסן סוללות בשמש, על מקורות חום או מאחורי זכוכית.
- ◀ אחסן את המוצר והסוללה הרחק מהישג ידם של ילדים או אנשים לא מורשים.
- ◀ בדוק אם ישנם נזקים במוצר ובסוללות לפני כל שימוש וכן לפני אחסון ממושך.

8 עזרה במקרה תקלה

אם מתרחשת תקלה שאינה מוסברת בטבלה זה או שאינך יכול לתקן בעצמך, פנה לשירות של Hilti.

תקלה	סיבה אפשרית	פתרון
הסוללה אינה נתפסת בצליל נקישה כפול ברור.	דיזי הנעילה בסוללה מלוכלכים.	◀ נקה את לשוניות החיבור וחבר את הסוללה. אם הבעיה נמשכת, פנה לשירות של Hilti.
לא ניתן ללחוץ על מתג ההפעלה או שמתג ההפעלה חסום.	חסימת ההפעלה פעילה.	◀ דחף את מתג חסימת ההפעלה הצדה (שמאלה במבט לכיוון העבודה).
המכשיר אינו פועל.	הסוללה אינה מוכנסת עד הסוף.	◀ ודא שהסוללה ננעלת בצליל נקישה.
המכשיר אינו פועל, נורית אחת מהבהבת.	הסוללה התרוקנה.	◀ החלף סוללה, וטען את הסוללה הריקה.
המכשיר נכבה במהלך העבודה, 4 הנוריות של הסוללה מהבהבות.	הגבת עומס היתר הזדנקה.	◀ שחרר את מתג ההפעלה ולחץ עליו מחדש.
	הגבת התחממות היתר הזדנקה.	◀ אפשר למכשיר להתקרר. נקה את חריצי האוורור.
הסוללה מתרוקנת מהר מהרגיל.	טמפרטורת סביבה נמוכה מאוד.	◀ אפשר לסוללה להתחמם בהדרגה לטמפרטורת החדר.
התחממות רבה של המכשיר או הסוללה.	עומס יתר על המכשיר (חריגה מגבולות השימוש).	◀ לפני כל עבודה בדוק את נתוני ההספק של המוצר שלך. ראה הנתונים הטכניים.

9 אחריות יצרן

◀ אם יש לך שאלות בנושא תנאי האחריות, אנא פנה למשווק Hilti הקרוב אליך.



en Declaration of conformity**Declaration of conformity**

The manufacturer declares, on his sole responsibility, that the product described here complies with the applicable legislation and standards.

The technical documentation is filed here:

Hilti Entwicklungsgesellschaft mbH | Tool Certification | Hiltistrasse 6 | D-86916 Kaufering, Germany

Product information

Drill	SF BT 22-A
Generation:	01
Serial no.:	1-9999999999



הצהרת תאימות

היצרן מצהיר באחריותו הבלעדית כי המוצר המתואר כאן עונה על דרישות החוק התקפות והתקנים התקפים.

התיעוד הטכני שמור כאן:

Hilti Entwicklungsgesellschaft mbH | Zulassung Geräte | Hiltistraße 6 | 86916 Kaufering, Germany

נתוני המוצר

SF BT 22-A	מקדחה
01	דור:
99999999999-1	מס' סידורי:

Hilti Corporation
Feldkircherstraße 100
9494 Schaan | Liechtenstein

SF BT 22-A (01)

2006/42/EC
2014/30/EU
2011/65/EU

EN 62841-1:2015, AC:2015,A11:2022
EN IEC 55014-1:2021



EN 62841-2-1:2018, A11:2019, A1:2022,
A12:2022
EN IEC 55014-2:2021

Schaan, 20.09.2024

Klaus Bertsch
Head of Quality and Process Management
Business Area Direct Fastening

Rafael Garcia
Head of BU Direct Fastening
Business Unit Direct Fastening



en UK Declaration of Conformity**Declaration of conformity**

The manufacturer declares, on his sole responsibility, that the product described here complies with the applicable legislation and standards.

The technical documentation is filed here:

Hilti Entwicklungsgesellschaft mbH | Tool Certification | Hiltistrasse 6 | D-86916 Kaufering, Germany

Product information

Drill	SF BT 22-A
Generation:	01
Serial no.:	1-9999999999

Manufacturer:**Hilti Corporation**

Feldkircherstraße 100
9494 Schaan | Liechtenstein

SF BT 22-A (01)

Supply of Machinery (Safety) Regulations
2008

Electromagnetic Compatibility Regulations
2016

The Restriction of the Use of Certain
Hazardous Substances in Electrical and
Electronic Equipment Regulations 2012

UK Importer:**Hilti (Gt. Britain) Limited**

No. 1 Circle Square, 3 Symphony Park
Manchester, England, M1 7FS



EN 62841-1:2015, AC:2015,A11:2022

EN IEC 55014-1:2021

EN 62841-2-1:2018, A11:2019, A1:2022,
A12:2022

EN IEC 55014-2:2021

Schaan, 20.09.2024

Klaus Bertsch

Head of Quality and Process Management
Business Area Direct Fastening

Rafael Garcia

Head of BU Direct Fastening
Business Unit Direct Fastening







Hilti Corporation
LI-9494 Schaan
Tel.:+423 234 21 11
Fax:+423 234 29 65
www.hilti.group



2127431