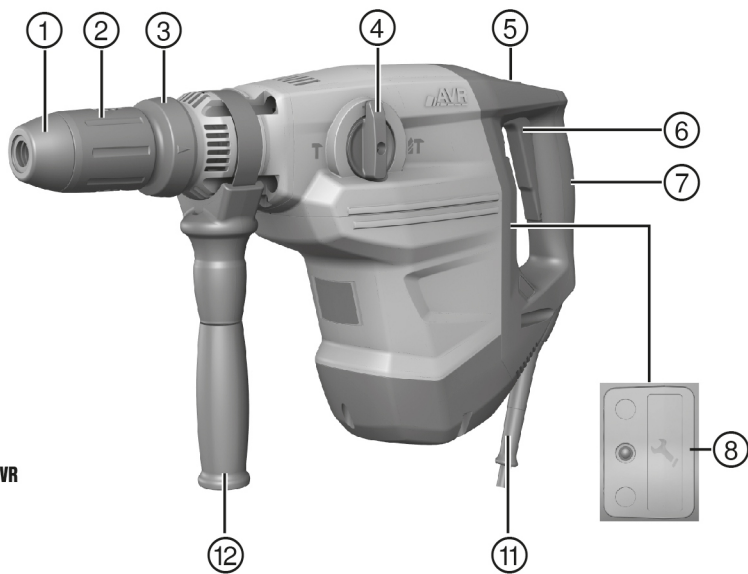




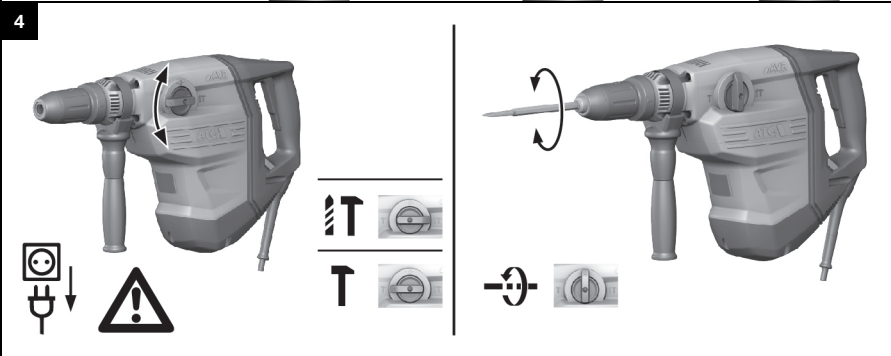
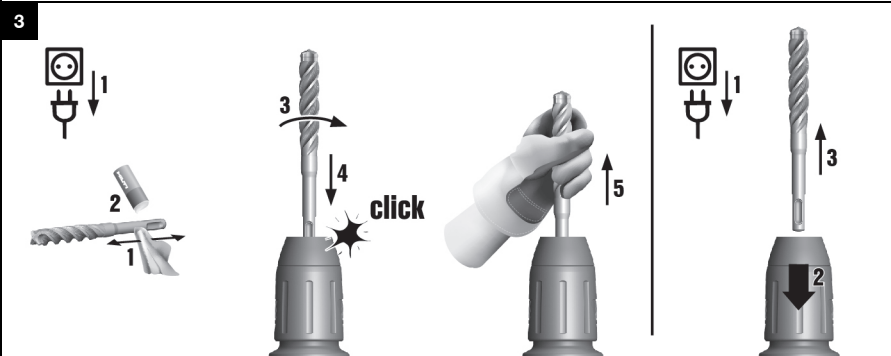
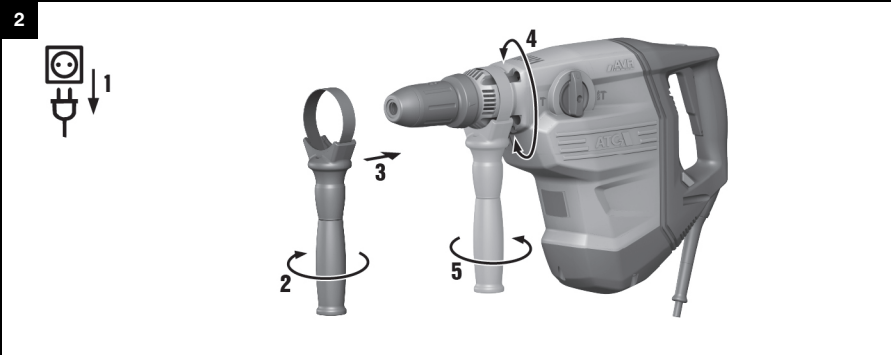
TE 70-AVR (03)

English  
עברית

1  
10



TE 70-AVR





# Original operating instructions

## 1 Information about the operating instructions

### 1.1 About these operating instructions

- **Warning!** Read and understand all accompanying documentation, including but not limited to instructions, safety warnings, illustrations, and specifications provided with this product. Familiarize yourself with all the instructions, safety warnings, illustrations, specifications, components, and functions of the product before use. Failure to do so may result in electric shock, fire, and/or serious injury. Save all warnings and instructions for future reference.
- products are designed for professional users and only trained, authorized personnel are permitted to operate, service and maintain the products. This personnel must be specifically informed about the possible hazards. The product and its ancillary equipment can present hazards if used incorrectly by untrained personnel or if used not in accordance with the intended use.
- The accompanying documentation corresponds to the current state of the art at the time of printing. Please always check for the latest version on the product's page on Hilti's website. To do this, follow the link or scan the QR code in this documentation, marked with the symbol
- Ensure that these operating instructions are with the product when it is given to other persons.

### 1.2 Explanation of symbols

#### 1.2.1 Warnings

Warnings alert persons to hazards that occur when handling or using the product. The following signal words are used:

**DANGER**

**DANGER !**

- ▶ Draws attention to imminent danger that will lead to serious personal injury or fatality.

**WARNING**

**WARNING !**

- ▶ Draws attention to a potential threat of danger that can lead to serious injury or fatality.

**CAUTION**

**CAUTION !**

- ▶ Draws attention to a potentially dangerous situation that could lead to personal injury or damage to the equipment or other property.

#### 1.2.2 Symbols in the operating instructions

The following symbols are used in these operating instructions:

	Comply with the operating instructions
	Instructions for use and other useful information
	Dealing with recyclable materials
	Do not dispose of electric equipment and batteries as household waste

#### 1.2.3 Symbols in illustrations

The following symbols are used in illustrations:

<b>2</b>	These numbers refer to the illustrations at the beginning of these operating instructions.
<b>3</b>	The numbers in illustrations refer to important work steps or to components important for the work steps. In the text, the corresponding numbers draw attention to these work steps or components, e.g. <b>(3)</b> .



	Item reference numbers are used in the <b>overview illustration</b> and refer to the numbers used in the key in the <b>product overview</b> section.
	This symbol is intended to draw your special attention to certain points for handling the product.

### 1.3 Product-dependent symbols

#### 1.3.1 Symbols on the product

The following symbols are used on the product:

	Drilling with hammering action (hammer drilling)
	Chiseling
	Chisel positioning
	Protection class II (double-insulated)
$n_0$	Rated speed under no load
/min	Revolutions per minute
RPM	Revolutions per minute
$\emptyset$	Diameter
	Alternating current
	The product supports wireless data transmission compatible with iOS and Android platforms.

## 2 Safety

### 2.1 General power tool safety warnings

**⚠ WARNING** Read all safety warnings, instructions, illustrations and specifications provided with this power tool. Failure to follow all instructions listed below may result in electric shock, fire and/or serious injury. **Save all warnings and instructions for future reference.**

The term "power tool" in the warnings refers to your mains-operated (corded) power tool or battery-operated (cordless) power tool.

#### Work area safety

- ▶ **Keep work area clean and well lit.** Cluttered or dark areas invite accidents.
- ▶ **Do not operate power tools in explosive atmospheres, such as in the presence of flammable liquids, gases or dust.** Power tools create sparks which may ignite the dust or fumes.
- ▶ **Keep children and bystanders away while operating a power tool.** Distractions can cause you to lose control.

#### Electrical safety

- ▶ **Power tool plugs must match the outlet. Never modify the plug in any way. Do not use any adapter plugs with earthed (grounded) power tools.** Unmodified plugs and matching outlets will reduce risk of electric shock.
- ▶ **Avoid body contact with earthed or grounded surfaces, such as pipes, radiators, ranges and refrigerators.** There is an increased risk of electric shock if your body is earthed or grounded.
- ▶ **Do not expose power tools to rain or wet conditions.** Water entering a power tool will increase the risk of electric shock.
- ▶ **Do not abuse the cord. Never use the cord for carrying, pulling or unplugging the power tool. Keep cord away from heat, oil, sharp edges or moving parts.** Damaged or entangled cords increase the risk of electric shock.
- ▶ **When operating a power tool outdoors, use an extension cord suitable for outdoor use.** Use of a cord suitable for outdoor use reduces the risk of electric shock.



- ▶ **If operating a power tool in a damp location is unavoidable, use a residual current device (RCD) protected supply.** Use of an RCD reduces the risk of electric shock.

#### Personal safety

- ▶ **Stay alert, watch what you are doing and use common sense when operating a power tool. Do not use a power tool while you are tired or under the influence of drugs, alcohol or medication.** A moment of inattention while operating power tools may result in serious personal injury.
- ▶ **Use personal protective equipment. Always wear eye protection.** Protective equipment such as a dust mask, non-skid safety shoes, hard hat or hearing protection used for appropriate conditions will reduce personal injuries.
- ▶ **Prevent unintentional starting. Ensure the switch is in the off-position before connecting to power source and/or battery pack, picking up or carrying the tool.** Carrying power tools with your finger on the switch or energising power tools that have the switch on invites accidents.
- ▶ **Remove any adjusting key or wrench before turning the power tool on.** A wrench or a key left attached to a rotating part of the power tool may result in personal injury.
- ▶ **Do not overreach. Keep proper footing and balance at all times.** This enables better control of the power tool in unexpected situations.
- ▶ **Dress properly. Do not wear loose clothing or jewellery. Keep your hair and clothing away from moving parts.** Loose clothes, jewellery or long hair can be caught in moving parts.
- ▶ **If devices are provided for the connection of dust extraction and collection facilities, ensure these are connected and properly used.** Use of dust collection can reduce dust-related hazards.
- ▶ **Do not let familiarity gained from frequent use of tools allow you to become complacent and ignore tool safety principles.** A careless action can cause severe injury within a fraction of a second.

#### Power tool use and care

- ▶ **Do not force the power tool. Use the correct power tool for your application.** The correct power tool will do the job better and safer at the rate for which it was designed.
- ▶ **Do not use the power tool if the switch does not turn it on and off.** Any power tool that cannot be controlled with the switch is dangerous and must be repaired.
- ▶ **Disconnect the plug from the power source and/or remove the battery pack, if detachable, from the power tool before making any adjustments, changing accessories, or storing power tools.** Such preventive safety measures reduce the risk of starting the power tool accidentally.
- ▶ **Store idle power tools out of the reach of children and do not allow persons unfamiliar with the power tool or these instructions to operate the power tool.** Power tools are dangerous in the hands of untrained users.
- ▶ **Maintain power tools and accessories. Check for misalignment or binding of moving parts, breakage of parts and any other condition that may affect the power tool's operation. If damaged, have the power tool repaired before use.** Many accidents are caused by poorly maintained power tools.
- ▶ **Keep cutting tools sharp and clean.** Properly maintained cutting tools with sharp cutting edges are less likely to bind and are easier to control.
- ▶ **Use the power tool, accessories and tool bits etc. in accordance with these instructions, taking into account the working conditions and the work to be performed.** Use of the power tool for operations different from those intended could result in a hazardous situation.
- ▶ **Keep handles and grasping surfaces dry, clean and free from oil and grease.** Slippery handles and grasping surfaces do not allow for safe handling and control of the tool in unexpected situations.

#### Service

- ▶ **Have your power tool serviced by a qualified repair person using only identical replacement parts.** This will ensure that the safety of the power tool is maintained.

## 2.2 Drill safety warnings

#### Safety instructions for all operations

- ▶ **Wear ear protectors when impact drilling.** Exposure to noise can cause hearing loss.
- ▶ **Use the auxiliary handle(s).** Loss of control can cause personal injury.
- ▶ **Hold the power tool by insulated gripping surfaces, when performing an operation where the cutting accessory or fasteners may contact hidden wiring or its own cord.** Cutting accessory or fasteners contacting a "live" wire may make exposed metal parts of the power tool "live" and could give the operator an electric shock.



**Safety instructions when using long drill bits**

- ▶ **Never operate at higher speed than the maximum speed rating of the drill bit.** At higher speeds, the bit is likely to bend if allowed to rotate freely without contacting the workpiece, resulting in personal injury.
- ▶ **Always start drilling at low speed and with the bit tip in contact with the workpiece.** At higher speeds, the bit is likely to bend if allowed to rotate freely without contacting the workpiece, resulting in personal injury.
- ▶ **Apply pressure only in direct line with the bit and do not apply excessive pressure.** Bits can bend causing breakage or loss of control, resulting in personal injury.

**Safety instructions for using mixing paddles or stirrers**

- ▶ **Switch the power tool on or off only when the mixing paddle is immersed in the material for mixing.** Failure to do so can cause a loss of control with resultant risk of injury.

**2.3 Additional safety instructions for rotary hammer drill****Personal safety**

- ▶ Use the product and accessories only when they are in perfect working order.
- ▶ Never tamper with or modify the product or accessories in any way.
- ▶ Use auxiliary handles supplied with the product. Loss of control can cause personal injury.
- ▶ Apply appropriate safety measures at the opposite side of the workpiece in work that involves breaking through. Parts breaking away could fall out and / or fall down causing injury to other persons.
- ▶ Always hold the tool with both hands on the grips provided. Keep the grips clean and dry.
- ▶ Hold the product by the insulated gripping surfaces when performing work in which the accessory tool might come into contact with concealed wiring. If the accessory tool comes into contact with a live wire, metal parts of the power tool can also become live, resulting in an electric shock.
- ▶ Do not touch rotating parts – risk of injury!
- ▶ Wear eye protection, a hard hat and ear protection and suitable respiratory protection while the product is in use.
- ▶ Wear protective gloves when changing the accessory tool. Touching the accessory tool can result in cuts and burns.
- ▶ Wear eye protection. Flying fragments can injure the body and eyes.
- ▶ Dust produced by grinding, sanding, cutting and drilling can contain dangerous chemicals. Some examples are: lead or lead-based paints; brick, concrete and other masonry products, natural stone and other products containing silicates; certain types of wood, such as oak, beech and chemically treated wood; asbestos or materials that contain asbestos. Determine the exposure of the operator and bystanders by means of the hazard classification of the materials to be worked. Implement the necessary measures to restrict exposure to a safe level, for example by the use of a dust collection system or by the wearing of suitable respiratory protection. The general measures for reducing exposure include:
  - ▶ working in an area that is well ventilated,
  - ▶ avoidance of prolonged contact with dust,
  - ▶ directing dust away from the face and body,
  - ▶ wearing protective clothing and washing exposed areas of the skin with water and soap.
- ▶ Take frequent breaks and do physical exercises to improve the blood circulation in your fingers. High vibration during long periods of work can lead to disorders of the blood vessels and nervous system in the fingers, hands and wrists.

**Electrical safety**

- ▶ Before beginning work, check the working area for concealed electric cables or gas and water pipes. External metal parts of the product could give you an electric shock or cause an explosion if you accidentally damage an electric cable or a gas or water pipe.

**Power tool use and care**

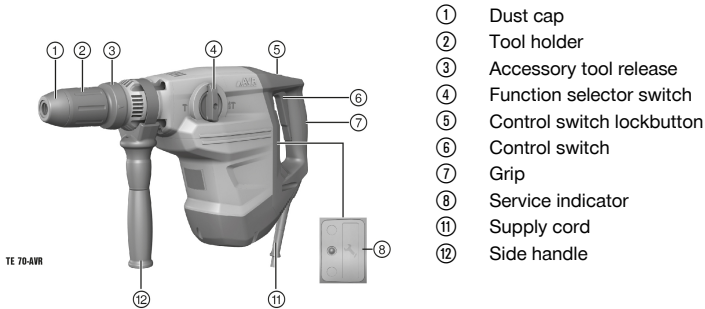
- ▶ Switch the product off immediately if the accessory tool jams. The product might twist off-line.
- ▶ Wait until the product has come to a complete stop before you lay it down.





### 3 Description

#### 3.1 Product overview



- ① Dust cap
- ② Tool holder
- ③ Accessory tool release
- ④ Function selector switch
- ⑤ Control switch lockbutton
- ⑥ Control switch
- ⑦ Grip
- ⑧ Service indicator
- ⑪ Supply cord
- ⑫ Side handle

#### 3.2 Intended use

The product described is an electrically powered combihammer with pneumatic hammering mechanism. It is designed for drilling in concrete, masonry, wood and metal. The product can also be used for light- to medium-duty chiseling on masonry and surface finishing work on concrete.

- The tool may be operated only when connected to a power source providing a voltage and frequency in compliance with the information given on the type identification plate.

#### 3.3 AVR option

The product may be optionally equipped with an Active Vibration Reduction (AVR) system, which reduces vibration noticeably.

#### 3.4 Service indicator

The product is equipped with a service indicator LED.

##### 3.4.1 Service indicator status

Status	Meaning
The service indicator lights red.	End of service interval – servicing is due.
The service indicator blinks red.	Have the combihammer repaired by <b>Hilti Service</b> .

#### 3.5 Items supplied

Combihammer, side handle, operating instructions.

Other system products approved for use with this product can be found at your local **Hilti Store** or at: [www.hilti.group](http://www.hilti.group) | USA: [www.hilti.com](http://www.hilti.com)

### 4 Technical data

For rated voltage, rated current, frequency and/or input power, refer to the country-specific type identification plate.

If the device is powered by a generator or transformer, the generator or transformer's power output must be at least twice the rated input power shown on the rating plate of the device. The operating voltage of the transformer or generator must always be within +5 % and -15 % of the rated voltage of the device.

	TE 70-AVR
Product generation	03
Weight in accordance with EPTA procedure 01	8.3 kg



	TE 70-AVR
Single impact energy in accordance with EPTA procedure 05	11.5 J
Hammer drill bits, Ø	12 mm ... 55 mm
Ø drill bits for wood	10 mm ... 32 mm
Ø drill bits for metal	0 mm ... 20 mm

#### 4.1 Noise information and vibration values

The sound pressure and vibration values given in these instructions were measured in accordance with a standardized test and can be used to compare one power tool with another. They can also be used for a preliminary assessment of exposure.

The data given represent the main applications of the power tool. However, if the power tool is used for different applications, with different accessory tools, or is poorly maintained, the data can vary. This can significantly increase exposure over the total working period.

An accurate estimation of exposure should also take into account the times when the power tool is switched off, or when it is running but not actually being used for a job. This can significantly reduce exposure over the total working period.

Identify additional safety measures to protect the operator from the effects of noise and/or vibration, for example: maintaining the power tool and accessory tools, keeping the hands warm, organization of work patterns.



Detailed information on the versions of the **EN 62841** standards applied here is to be found in the reproduction of the declaration of conformity 20.

#### Noise emission values

	TE 70-AVR
Sound (power) level ( $L_{WA}$ )	113 dB(A)
Uncertainty for the sound power level ( $K_{WA}$ )	3 dB(A)
Emission sound pressure level ( $L_{pA}$ )	105 dB(A)
Uncertainty for the sound pressure level ( $K_{pA}$ )	3 dB(A)

#### Total vibration

	TE 70-AVR
Hammer drilling in concrete ( $a_{h, HD}$ )	10.8 m/s <sup>2</sup>
Chiseling ( $a_{h, Cheq}$ )	9 m/s <sup>2</sup>
Uncertainty (K)	1.5 m/s <sup>2</sup>

## 5 Operation

### 5.1 Fitting the side handle

#### CAUTION

**Risk of injury** Loss of control over the product.

► Check that the side handle is fitted correctly and tightened securely. Check that the clamping band is engaged in the groove in the product.

► Fit the side handle.

### 5.2 Fitting / removing the accessory tool



The use of unsuitable grease may cause damage to the tool. **Use only genuine Hilti grease.**

Always check the accessory tool for damage and uneven wear before each use; replace if necessary.

► Fit or remove the accessory tool, as applicable.



### 5.3 Drilling without hammer action

Drilling without hammer action is possible when accessory tools with a special connection end are used. Tools of this kind are available from the **Hilti** tools range.  
When the keyless quick-release chuck is fitted, smooth-shank drill bits for wood or steel, for example, can be used to drill without hammer action.

- ▶ Set the function selector switch to the “Hammer drilling” position .

### 5.4 Drilling with hammer action (hammer drilling)

- ▶ Set the function selector switch to the “Hammer drilling” position .

### 5.5 Chisel positioning

#### CAUTION

**Risk of injury!** Loss of control over the chisel direction.

- ▶ Do not operate the tool when the selector switch is set to “Chisel positioning”. Turn the function selector switch until it engages in the “Chiseling” position.

The chisel can be set to 24 different positions (in 15° increments). This ensures that flat chisels and shaped chisels can always be set to the optimum working position.

- ▶ Set the function selector switch to the “Chisel positioning” position .

### 5.6 Chiseling

- ▶ Set the function selector switch to the “Chiseling” position .

### 5.7 Control switch lock

When chiseling, the control switch can be locked in the “on” position.

- ▶ Press the control switch lock.

## 6 Care and maintenance

#### WARNING

**Electric shock hazard!** Attempting care and maintenance with the supply cord connected to a power outlet can lead to severe injury and burns.

- ▶ Always unplug the supply cord before carrying out care and maintenance tasks.

#### Care

- Carefully remove stubborn dirt from the tool.
- Clean the air vents carefully with a dry brush.
- Use only a slightly damp cloth to clean the casing. Do not use cleaning agents containing silicone as they can attack the plastic parts.

#### Maintenance

#### WARNING

**Danger of electric shock!** Improper repairs to electrical components may lead to serious injuries including burns.

- ▶ Repairs to the electrical section of the tool or appliance may be carried out only by trained electrical specialists.
- Check all visible parts and controls for signs of damage at regular intervals and make sure that they all function correctly.



- Do not operate the product if signs of damage are found or if parts malfunction. Have it repaired immediately by **Hilti Service**.
- After cleaning and maintenance, fit all guards or protective devices and check that they function correctly.

**i** To help ensure safe and reliable operation, use only genuine Hilti spare parts and consumables. Spare parts, consumables and accessories approved by Hilti for use with the product can be found at your local **Hilti Store** or online at: [www.hilti.group](http://www.hilti.group).

## 7 Transport and storage

- Do not transport electric tools with accessory tools fitted.
- Always unplug the supply cord before storing an electric tool or appliance.
- Store tools and appliances in a dry place where they cannot be accessed by children or unauthorized persons.
- Check electric tools or appliances for damage after long periods of transport or storage.

## 8 Troubleshooting

If the trouble you are experiencing is not listed in this table or you are unable to remedy the problem by yourself, please contact **Hilti Service**.

### 8.1 Troubleshooting

Trouble or fault	Possible cause	Action to be taken
Combihammer does not start.	Interruption in the electric supply.	▶ Plug in another electric tool or appliance and check whether it works.
	The generator is in sleep mode.	▶ Apply a load to the generator by connecting a second power consumer (e.g. worklight). Switch the tool off and then on again.
	The electronic restart interlock is activated after an interruption in the electric supply.	▶ Switch the power tool off and then on again.
	The carbon brushes are worn.	▶ Have checked, and if necessary replaced, by a trained electrical specialist.
No hammering action.	The power tool is too cold.	▶ Bring the tip of the accessory tool into contact with the working surface, switch the power tool on and allow it to run. If necessary, repeat the procedure until the hammering mechanism begins to operate.
Combihammer does not achieve full power.	The extension cord is too long or the conductor cross-section is inadequate.	▶ Use an extension cord of an approved length and / or of adequate conductor cross-section.
	The control switch is not fully pressed.	▶ Press the control switch as far as it will go.
	The voltage provided by the electric supply is too low.	▶ Connect the power tool to a different power source.
Drill bit does not rotate.	The function selector switch is not engaged or is in the "Chiseling" position <b>T</b> or the "Chisel positioning" position <b>→</b> .	▶ With the motor at a standstill, set the function selector switch to the "Hammer drilling" <b>⚡</b> position.



Trouble or fault	Possible cause	Action to be taken
Drill bit is not released.	The chuck is not pulled back fully.	▶ Pull the tool lock back as far as it will go and remove the accessory tool.
	The side handle is not fitted correctly.	▶ Disengage the side handle and refit it correctly so that the clamping band and side handle engage in the recess.
The service indicator blinks red.	A fault has occurred in the tool.	▶ Have the product repaired by <b>Hilti Service</b> .
The service indicator lights red.	The carbon brushes are worn.	▶ Have checked, and if necessary replaced, by a trained electrical specialist.

## 9 Disposal

Most of the materials from which **Hilti** tools and appliances are manufactured can be recycled. The materials must be correctly separated before they can be recycled. In many countries, your old tools, machines or appliances can be returned to **Hilti** for recycling. Ask **Hilti Service** or your Hilti representative for further information.



- ▶ Do not dispose of power tools, electronic equipment or batteries as household waste!

## 10 RoHS (Restriction of Hazardous Substances)

Click on the links to go to the table of hazardous substances: [qr.hilti.com/r1021413](http://qr.hilti.com/r1021413)  
There is a link to the RoHS table, in the form of a QR code, at the end of this document.

## 11 Manufacturer's warranty

- ▶ Please contact your local **Hilti** representative if you have questions about the warranty conditions.



### 1.1 על הוראות הפעלה אלו

- **אזהרה!** לפני השימוש במוצר יש לקרוא ולהבין את הוראות הפעלה המצורפות למוצר, כולל ההערות, הוראות הבטיחות והאזהרות, האיומים והמפרטים. יש ללמוד במיוחד את כל הוראות הבטיחות, האזהרות, המפרטים והפונקציות השונות של המוצר. התעלמות מהנחיה זו מובילה לסכנת התחשמלות, שריפה ופציעות קשות. שמור את הוראות הפעלה, כולל כל הוראות הבטיחות והאזהרות לצורך שימוש בעתיד.
- המוצרים של **HILTI** מיועדים למשתמש המקצועי, ורק אנשים מורשים, שעברו הכשרה מתאימה, רשאים לתפעל, לתחזק ולתקן אותם. אנשים אלה חייבים ללמוד באופן מיוחד את הסכנות האפשריות. המוצר המתואר והעדרים שלו עלולים להיות מסוכנים כאשר אנשים שלא עברו הכשרה מתאימה משתמשים בהם באופן לא מקצועי או כאשר משתמשים בהם שלא בהתאם לייעוד.
- הוראות הפעלה המצורפות נכתבו בהתאם לידיעות הטכנולוגיות במועד השליחה לדפוס. את הגרסה העדכנית ביותר אפשר למצוא תמיד בדף המוצר של Hilti. כדי להגיע לשם, יש לטרוק את קוד ה-QR בהוראות הפעלה האלה, מסומן בסמל .
- אם אתה מעביר את המוצר לאדם אחר, מסור לו גם את הוראות הפעלה האלה.

### 1.2 הסבר הסימנים

#### 1.2.1 אזהרות

האזהרות מזדהרות מפני סכנות בשימוש במוצר. במדריך זה מופיעות מילות המפתח הבאות:

**סכנה**

**סכנה!**

← מציינת סכנה מיידית, המובילה לפציעות גוף קשות או למוות.

**אזהרה**

**אזהרה!**

← מציינת סכנה אפשרית, שיכולה להוביל לפציעות גוף קשות או למוות.

**זהירות**

**זהירות!**

← מציינת מצב שעלול להיות מסוכן ולהוביל לפציעות גוף או לנזקים לרכוש.

#### 1.2.2 סמלים בהוראות הפעלה

הסמלים הבאים מופיעים בהוראות הפעלה אלה:

שים לב להוראות הפעלה	
הנחיות לשימוש ומידע שימושי נוסף	
טיפול נכון בחומרים למיחזור	
אין להשליך לפסולת הביתית מכשירים חשמליים וסוללות	

#### 1.2.3 סמלים באיומים

הסמלים הבאים משמשים באיומים:

מספרים אלה מפנים לאיור המתאים בתחילת הוראות הפעלה אלה.	<b>2</b>
המספרים באיומים מפנים לשלבי עבודה חשובים או לרכיבים שחשובים לשלבי העבודה. שלבי עבודה אלה או רכיבים אלה מודגשים בטקסט במספרים מתאימים, לדוגמה (3).	3
מספרי הפריטים מופיעים באיור <b>סקירה</b> ותואמים את המספרים במקרא בפרק <b>סקירת המוצר</b> .	<b>11</b>
סימן זה אמור לעורר את תשומת לבך המיוחדת בעת השימוש במוצר.	



**1.3.1 סמלים על המוצר**

הסמלים הבאים מופיעים על המוצר:

	קידוח עם הלימה
	חציבה
	מיקום האזמל
	דירוג הגנה II (בידוד כפול)
	מהירות סרק נקובה
	סיבובים לדקה
	סיבובים לדקה
	קוטר
	זרם חילופים
	המוצר תומך בתעבורת נתונים אלחוטית, המתאימה לשימוש עם פלטפורמות iOS ו-Android.

**2 בטיחות**
**2.1 הוראות בטיחות כלליות לכלי עבודה חשמליים**

**⚠ אזהרה קרא את כל הוראות הבטיחות, ההנחיות, האירוסים והנתונים הטכניים המצורפים לכלי העבודה החשמלי.** אי ציות להנחיות עלול להוביל להתחשמלות, לשרפה ו/או לפציעות קשות.  
**שמור את כל הוראות הבטיחות וההנחיות לעיון בעתיד.**  
 המונח "כלי עבודה חשמלי" המשמש בהוראות הבטיחות מתייחס לכלי עבודה חשמליים המחוברים לרשת החשמל (עם כבל חשמל) או לכלי עבודה חשמליים המופעלים באמצעות סוללה נטענת (ללא כבל חשמל).

**בטיחות במקום העבודה**

- ▶ **שמור על אזור העבודה שלך נקי ודאג לתאורה מספקת.** חוסר סדר או תאורה לקויה במקום העבודה עלולים לגרום לתאונות.
- ▶ **אין להפעיל את כלי העבודה החשמלי בסביבה שקיימת בה סכנת פיצוץ או שיטנים בה נוזלים, גדים או אבק דליקים.** כלי עבודה חשמליים יוצרים ניצוצות, שעלולים להצית את האבק או האדים.
- ▶ **הרחק ילדים ואנשים אחרים מכלי העבודה החשמלי במהלך השימוש בו.** אם דעתך תוסח אתה עלול לאבד את השליטה במכשיר.

**בטיחות בחשמל**

- ▶ **תקע החשמל של כלי העבודה החשמלי חייב להתאים לשקע החשמל.** אסור לשובת בשום אופן את תקע החשמל. אל תשתמש בשקע מתאם בידוד עם כלי עבודה חשמליים הכוללים הגנת הארקה. שימוש בתקעים חשמליים שלא עברו שינוי ושקעי חשמל מתאימים מפחית את הסיכון להתחשמלות.
- ▶ **מנע מגע של הגוף בשטחים מוארקים כגון צינורות, גופי חימום, תנורים ומקררים.** קיימת סכנה גבוהה להתחשמלות כאשר הגוף שלך מוארק.
- ▶ **הרחק כלי עבודה חשמליים מגשם או רטיבות.** חדרת מים לכלי העבודה החשמלי מגדילה את הסיכון להתחשמלות.
- ▶ **אל תשתמש בכבל החשמל למטרות שלא לשמן הוא נועד, לדוגמה: אל תרים את כלי העבודה החשמלי באמצעות הכבל ואל תנסה לנתק את התקע משקע החשמל במשיכה מהכבל.** הרחק את הכבל מחום, שמן, פינות חדות או מחלקים נעים. כבלים שניזוקו או שהסתבכו בחלקים אחרים מגדילים את הסיכון להתחשמלות.
- ▶ **כאשר אתה עובד עם כלי העבודה החשמלי בחוץ, השתמש רק בכבל מאריך למיועד לשימוש חיצוני.** שימוש בכבל מאריך המתאים לשימוש חיצוני מפחית את הסיכוי להתחשמלות.
- ▶ **אם לא ניתן להימנע משימוש בכלי העבודה החשמלי בסביבה לחה, השתמש בממסר פחת.** השימוש בממסר פחת מפחית את הסיכון להתחשמלות.

**בטיחות של אנשים**

- ▶ **היה ערבי, שים לב למה שאתה עושה, ופעל בתבונה כאשר אתה עובד עם כלי עבודה חשמלי.** אל תפעיל כלי עבודה חשמליים כשאתה עייף או תחת השפעת סמים, אלכוהול או תרופות. די ברגע אחד של חוסר תשומת-לב בדמן השימוש בכלי העבודה החשמלי כדי לגרום לפציעות קשות.



- ◀ **לבש תמיד ציוד מגן ומשפטי מגן.** לבישת ציוד מגן אישי, כגון מסכת אבק, נעלי בטיחות מונעות החלקה, קסדת מגן או מגני שמיעה – בהתאם לסוג השימוש בכלי העבודה החשמלי – מקטינה את הסיכון לפציעות.
- ◀ **מנע הפעלה בשוגג.** ודא שכלי העבודה החשמלי כבוי לפני שאתה מחבר אותו לאספקת החשמל ו/או לפני שאתה מחבר את הסוללה ולפני הרמטה. אל תניח את אצבעך על המתג בזמן שאתה נושא את המכשיר ואל לחבר אותו לאספקת החשמל כאשר הוא מופעל, אחרת עלולות להיגרם תאונות.
- ◀ **הרחק כלי כוונון או מפתחות ברגים לפני שאתה מפעיל את כלי העבודה החשמלי.** כלי עבודה או מפתחות הנמצאים בקרבת חלקים מסתובבים עלולים לגרום פציעות.
- ◀ **הימנע מתנוחות גוף לא נכונות.** עמוד באופן יציב ושומר תמיד על שיווי משקל. כך תוכל לשלוט טוב יותר בכלי העבודה החשמלי במצבים לא צפויים.
- ◀ **לבש בגדים מתאימים.** אל תלבש בגדים רחבים או תכשיטים. הרחק את השער, הבגדים וכפפות מחלקים נעים. בגדים רופפים, תכשיטים ושיער ארוך עלולים להיתפס בחלקים נעים.
- ◀ **כאשר ניתן להתקין התקני שאיבת אבק ולכידה יש לוודא שהם מחוברים לחשמל, ויש להקפיד להשתמש בהם בצורה נכונה.** שימוש בהתקן שאיבת אבק מקטין את הסכנות הנובעות מהאבק.
- ◀ **אל היהיה שאנן בנושאי בטיחות ואל תתעלם מהוראות בטיחות של כלי עבודה חשמליים, גם אם שהשתמשת במכשיר פעמים רבות ואתה מכיר אותו היטב.** התנהגות רשלנית עלולה להוביל לפציעות קשות בתוך שניות.

**שימוש וטיפול בכלי העבודה החשמלי**

- ◀ **אל תפעיל עומס רב מדי על המכשיר.** השתמש בכלי העבודה החשמלי המתאים לעבודה שאתה מבצע. כלי העבודה החשמלי המתאים מבטיח לך עבודה טובה ובטוחה יותר בתחום ההספק הנקוב.
- ◀ **אל תשתמש בכלי העבודה אם המתג שלו אינו תקין.** כלי עבודה חשמלי שלא ניתן עוד להפעיל או לכבות אותו מהווה סכנה ויש לתקנו.
- ◀ **נתק את תקע החשמל מהשקע ו/או הסר את הסוללה לפני שאתה מבצע כוונונים במכשיר, מחליף כלים או לאחר שאתה מפסיק לעבוד עם המכשיר.** אמצעי זהירות זה מונע הפעלה בשוגג של כלי העבודה החשמלי.
- ◀ **שמור כלי עבודה חשמליים שאינם בשימוש הרחק מהישג ידם של ילדים.** אל תאפשר לאנשים שאינם יודעים כיצד להשתמש במכשיר או שלא קראו את ההוראות להשתמש במכשיר. כלי עבודה חשמליים הם מסוכנים כאשר משתמשים בהם אנשים חסרי ניסיון.
- ◀ **טפל בכלי עבודה חשמליים ובאביזרים בהקפדה.** בדוק אם החלקים הנעים פועלים בצורה חלקה ואינם נתקעים, אם ישנם חלקים שבורים או מקולקלים המשבשים את הפעולה התקינה של כלי העבודה החשמלי. לפני השימוש במכשיר דאג לתיקון חלקים לא תקינים. תאונות רבות נגרמו עקב תחזוקה לקויה של כלי עבודה חשמליים.
- ◀ **שמור על כלי החיתוך חדים ונקיים.** כלי חיתוך מטופלים היטב, שלהביהם חדים נתקעים פחות וקלים יותר לתפעול.
- ◀ **השתמש בכלי העבודה החשמלי, באביזרים, בכלי העבודה הנוספים וכן הלאה בהתאם להוראות אלה.** התחשב בתנאי העבודה ובפעולה שעליך לבצע. שימוש בכלי העבודה החשמלי למטרות אחרות מאלה שלשמן הוא מיועד עלול להיות מסוכן.
- ◀ **שמור על ידיות ואזורים אחידה נקיים מכלוך משומן ומגריד.** ידיות ואזורים אחידה חלקים אינם מאפשרים תפעול בטוח ושליטה טובה בכלי העבודה החשמלי במצבים לא צפויים.

**שירות**

- ◀ **דאג לתיקון כלי העבודה החשמלי שלך רק בידי טכנאים מוסמכים, המשתמשים בחלקי חילוף מקוריים בלבד.** כך תבטיח שמירה על בטיחות העבודה במכשיר.

**2.2 הנחיות בטיחות למקדחות**

**הנחיות בטיחות לכל העבודות**

- ◀ **לבש מגני שמיעה בעת קידוח בהלימה.** רעש חזק עלול לפגוע בשמיעה.
- ◀ **השתמש בידיית האחיזה הנוספת.** אובדן השליטה במכשיר עלול לגרום לפציעות.
- ◀ **כאשר אתה מבצע עבודות שבהן הכלי המחובר או הברגים עשויים לפגוע בקווי חשמל מוסתרים, או כבבל החשמל של כלי העבודה החשמלי עצמו אחוז בכלי העבודה החשמלי באזורי האחיזה המבודדים.** מגע בקווים המוליכים זרם עלול להעביר זרם גם לחלקים מתכתיים במכשיר שלך ולגרום להתחשמלות.

**הנחיות בטיחות לשימוש במקדחים ארוכים**

- ◀ **בשום אופן אין לעבוד בסל"ד גבוה מהסל"ד המקסימלי המותר עבור המקדה.** קידוח בסל"ד גבוה יותר עשוי לגרום למקדח להתעקם מעט כאשר הוא מסתובב בחופשיות ללא מגע בחלק שבעבודה ולגרום לפציעות.
- ◀ **תחל כל קידוח בסל"ד נמוך, כשהמקדח נוגע בחלק שבעבודה.** קידוח בסל"ד גבוה יותר עשוי לגרום למקדח להתעקם מעט כאשר הוא מסתובב בחופשיות ללא מגע בחלק שבעבודה ולגרום לפציעות.
- ◀ **דחף את המקדח רק בכיוון האורכי וללא הפעלת לחץ מופרז.** המקדחים עשויים להתעקם ועקב כך להישבר או לגרום לאובדן שליטה ולפציעות.

**הנחיות בטיחות בשימוש במוטות ערבו**

- ◀ **הפעל או כבה את כלי העבודה החשמלי רק כאשר מוט הערבו**ל נמצא בתוך החומר המיועד לערבו**ל.** אחרת אתה עשוי לאבד שליטה על המכשיר, מה שעשוי להוביל לפציעות.





**בטיחות של אנשים**

- ◀ השתמש במוצר ובאביזרים רק בתנאי שהם נמצאים במצב טכני מושלם.
- ◀ אל תבצע בשום אופן שינויים או מניפולציות במוצר או באביזרים.
- ◀ השתמש בידידות העדר המצורפות למוצר. אובדן שליטה עלול לגרום לפציעות.
- ◀ בעבודות פריצה יש ללבטח את האזור בצד הנגדי של מקום העבודה שלך. חומרים מעבודות הפריצה עשויים ליפול ולפצוע אנשים אחרים.
- ◀ אחזך את המוצר היטב תמיד בשתי ידיים בידידת האחיזה שלו. שמור על ידידת האחיזה בקיזת ויבשות.
- ◀ כאשר אתה במצב עבודה שבהן האביזר המחובר עלול לפגוע בקווי חשמלי מוסתרים אחד במוצר במקומות האחיזה המבודדים. מגע בקווים המוליכים זרם עלול להעביר זרם גם לחלקים מתכתיים במכשיר שלך ולגרום להתחשמלות.
- ◀ אין לגעת בחלקים מסתובבים – סכנת פציעה!
- ◀ במהלך השימוש במוצר לבש מגני עיניים, קסדת הגנה, מגני שמיעה ומסכת נשימה מתאימה.
- ◀ לבש נעלי בטיחות בעת החלפת כלי. מגע בכלי עלול לגרום לפציעות ולכוויות.
- ◀ השתמש במגני עיניים. שבבי חומר שניתנים עלולים לפצוע את הגוף והעיניים.
- ◀ אבק שנוצר במהלך ליטוש, השחזה, חיתוך או קידוח עלול להכיל כימיקלים מסוכנים. להלן כמה דוגמאות: עופרת או צבעים על בסיס עופרת; לבנים, בטון וחומרי קיר אחרים, אבן טבעית ומוצרים אחרים המכילים טיילקט; עצים מסוימים, כגון אלון, בוק ועץ שעבר טיפול כימי; אסבסט או חומרים המכילים אסבסט. יש למדוד את חשיפת המשתמש והאנשים בסביבה על פי דירוג הסכנה של החומרים שבהם עובדים. נקט את האמצעים הדרושים כדי לשמור את החשיפה ברמה בטוחה, לדוגמה שימוש במערכות שאיבת אבק או לבישת מסיכת נשימה מתאימה. להלן רשימה של אמצעים כלליים להפחתת החשיפה:
- ◀ עבודה באזור מאוורר היטב.
- ◀ הימנעות ממגע ממושך עם האבק.
- ◀ סילוק האבק מהפנים והגוף.
- ◀ לבישת ביגוד מגן ושטיפת אזורים חשופים במים וסבון.
- ◀ ערוך הפסקות תכופות ותרגילים לשיפור זרימת הדם לאצבעות. בעבודה ממושכת הרעידות החזקות מהמכשיר עשויות לגרום להפרעות בכלי הדם או במערכת העצבים של האצבעות, כפות הידיים או שורשי כף היד.

**בטיחות בחשמל**

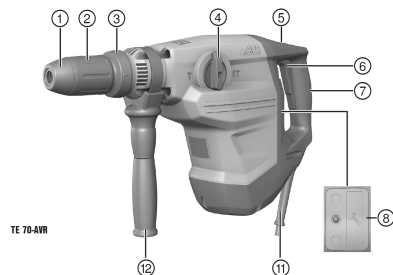
- ◀ לפני תחילת העבודה בדוק אם ישנם כבלי חשמל, צינורות גז או מים נסתרים. חלקים מתכתיים חיצוניים על המכשיר עלולים לגרום התחשמלות או פיצוץ כאשר פוגעים בכבל חשמל, בצינור גז או מים.

**טיפול ושימוש קפדניים בכלי עבודה חשמליים**

- ◀ כבה את המוצר מיד אם הכלי נתקע. המכשיר עשוי לסטות הצדה.
- ◀ המתן עד לעצירה מלאה של המוצר לפני שאתה מניח אותו.

**3 תיאור**
**3.1 סקירת המוצר**

- ① מגו אבק
- ② תפסנית
- ③ שחרור כליים
- ④ בורר פעולות
- ⑤ נעילת מתג ההפעלה
- ⑥ מתג הפעלה
- ⑦ ידית אחיזה
- ⑧ חיזוי טיפולים
- ⑨ כבל חשמל
- ⑩ ידית אחיזה צדית


**3.2 שימוש בהתאם ליעוד**

- ◀ המוצר המתואר זהו פטישון חשמלי משולב בעל מערכת הלימה פניאומטית. הוא מיועד לעבודות קידוח בבטון, קירות לבנים, עץ ומתכת. ניתן להשתמש במוצר גם לעבודות חציבה קלות עד בינוניות בקירות ולטיפול משלים בבטון.
- ◀ מותר לחבר את המכשיר רק לרשת חשמל בעלת מתח ותדירות כמצוין על לוחית הדגם.



### 3.3 אפשרות AVR

אפשר לצייד את המכשיר גם במערכת Active Vibration Reduction (AVR), שמפחיתה את הרעידות באופן משמעותי.

### 3.4 חיווי טיפולים

המוצר מצויד בבורית חיווי לטיפולים.

#### 3.4.1 מצב חיווי טיפולים

משמעות	מצב
הגיע מועד הטיפול במכשיר.	חיווי הטיפולים מאיר באדום.
הבא את הפטישון המשולב לתיקון במעבדה של Hilti.	חיווי הטיפולים מהבהב באדום.

### 3.5 מפרט אספקה

פטישון משולב, ידית אחיזה צדית, הוראות הפעלה.

מוצרים נוספים המאפשרים עבור המוצר שלך תמצא ב-Hilti Store או בכתובת: [www.hilti.com](http://www.hilti.com) | ארה"ב: [www.hilti.group](http://www.hilti.group)

## 4 נתונים טכניים

את המתח הנקוב, הזרם הנקוב, התדירות ו/או ההספק הנקוב תמצא בלוחית הדגם הספציפית למדינתך.



בעת הפעלה באמצעות גנרטור או שנאי הספק המוצא שלהם חייב להיות לפחות כפול מההספק הנקוב המצוין על לוחית הדגם של המכשיר. מתח העבודה של השנאי או הגנרטור חייב להימצא תמיד בטווח שבין +5% לבין -15% ביחס למתח הנקוב של המכשיר.

TE 70-AVR	
03	דור המוצר
8.3 ק"ג	משקל בהתאם להליך EPTA 01
11.5 ג'אול	אנרגיית הלימה בודדת בהתאם להליך EPTA 05
12 מ"מ ... 55 מ"מ	Ø מקדח לפטישון
10 מ"מ ... 32 מ"מ	Ø מקדח עץ
0 מ"מ ... 20 מ"מ	Ø מקדח מתכת

#### 4.1 מידע על רעשים וערכי רעידות

ערכי לחץ הקול והרעידות המצוינים בהוראות אלה נמדדו בהתאם לנוהל המדידה התקני, וניתן להשתמש בהם לצורך השוואה בין כלי עבודה חשמליים. הם מתאימים גם להערכה זמנית של העומסים.

הנתונים המצוינים תקפים לשימושים העיקריים בכלי העבודה החשמלי. אולם אם משתמשים בכלי העבודה החשמלי לשימושים אחרים, כשיילוב אביזרים אחרים או אם המכשיר אינו עובר תחזוקה מספקת, הנתונים עשויים להשתנות. בעקבות זאת פריסת העומסים למשך זמן העבודה כולו עשויה להיות גבוהה באופן משמעותי.

לצורך הערכה מדויקת של העומסים יש לקחת בחשבון גם את הזמנים שבהם כלי העבודה כבוי או שבהם הוא אמנם פועל אך אינו בשימוש בפועל. בעקבות זאת פריסת העומסים למשך זמן העבודה כולו עשויה להיות נמוכה באופן משמעותי.

יש לקבוע הנחיות בטיחות נוספות להגנה על המשתמש מפני ההשפעות של קול ו/או רעידות, כגון: תחזוקה של כלי העבודה החשמלי ושל כלי העבודה המחבוריים, שמירה על ידיים חמות, ארגון תהליכי העבודה.

מידע מפורט על גרסאות תקני EN 62841 הישימים תמצא בתמונת הצהרת התאימות 21.



#### ערכי רעש

TE 70-AVR	
113 dB(A)	רמת הספק קול ( $L_{WA}$ )
3 dB(A)	אי-ודאות ברמת הספק הקול ( $K_{WA}$ )
105 dB(A)	רמת לחץ קול ( $L_{pA}$ )
3 dB(A)	אי-ודאות ברמת לחץ קול ( $K_{pA}$ )



<b>TE 70-AVR</b>	
10.8 מ' / שני <sup>2</sup>	קידוח בהלימה בבטון ( $a_n, HD$ )
9 מ' / שני <sup>2</sup>	חציבה ( $a_n, Cheq$ )
1.5 מ' / שני <sup>2</sup>	אי ודאות (K)

**5 תפעול**
**5.1 התקנת ידית האחיזה הצדית 2**
**⚠ זיהרות**

**סכנת פציעה!** אובדן השליטה במוצר.

◀ ודא כי ידית האחיזה הצדית מותקנת בצורה נכונה ומהודקת היטב. ודא שחבק הידוק נמצא בחריץ המיועד לו במוצר.

◀ התקן את ידית האחיזה הצדית.

**5.2 הכנסה/הוצאה של כלי 3**


שימוש בגריד לא מתאים עלול לגרום נזק למכשיר. **השתמש רק בגריד מקורי של Hilti.** בדוק את הכלי לפני כל שימוש כדי לאתר נזקים ושחיקה לא אחידה, ובמקרה הצורך החלף אותו.

◀ הכנס את הכלי / הוצא את הכלי.

**5.3 קידוח ללא הלימה 4**


קידוח ללא הלימה אפשרי עם כלים בעלי ציר מיוחד. ניתן להזמין כלים כאלה ישירות מ-Hilti. בתפסנית המהירה ניתן להדק כלים דוגמת מקדחי עץ או מקדחי מתכת בעלי ציר צילינדר ו להשתמש בהם לקידוח ללא הלימה.

◀ העבר בורר הפעולות לעמדה "קידוח בהלימה"

**5.4 קידוח עם הלימה 4**

◀ העבר בורר הפעולות לעמדה "קידוח בהלימה"

**5.5 מיקום האזמל 4**
**⚠ זיהרות**

**סכנת פציעה!** אבדן השליטה על כיוון החציבה.

◀ אל תעבוד במצב "מיקום האזמל". העבר את בורר הפעולות למצב "חציבה", וודא שהוא נעלם במצב זה.



ניתן למקם את האזמל ב-24 מצבים שונים (מרווחים של 15°). כך ניתן לעבוד באזמלים שטוחים ומעוצבים במצב העבודה הטוב ביותר.

◀ העבר בורר הפעולות לעמדה "מיקום האזמל"

**5.6 חציבה 4**

◀ העבר בורר הפעולות לעמדה "חציבה"

**5.7 קיבוע מתג ההפעלה**


במצב חציבה ניתן לנעול את מתג ההפעלה במצב מופעל.

◀ הפעל את קיבוע מתג ההפעלה.



**אזהרה**

**סכנת התחשמלות!** עבודות טיפול ותחזוקה כאשר תקע החשמל מחובר לשקע עלולות להוביל לפציעות ולכוויות קשות. לפני ביצוע עבודות טיפול או תחזוקה כלשהן יש להקפיד ולנתק את תקע החשמל!

**טיפול**

- הסר בזהירות לכלוך שנדבק.
- נקה בזהירות את חריצי האוורור באמצעות מברשת יבשה.
- נקה את גוף המכשיר רק בעזרת מטלית לחה מעט. אין להשתמש בחומרי טיפול המכילים סיליקון, מאחר שהם עלולים לפגוע בחלקי הפלסטיק.

**תחזוקה**
**אזהרה**

**סכנת התחשמלות!** תיקון לא מקצועי של רכיבים חשמליים עלול לגרום לפציעות קשות ולכוויות. רק חשמלאים מורשים רשאים לבצע תיקונים ברכיבים חשמליים.

- יש לבדוק באופן סדיר את כל החלקים הגלויים כדי לאתר נדקים ולוודא שכל הרכיבים פועלים באופן תקין.
- אם ישנם נדקים ו/או תקלות אין להפעיל את המוצר. הבא מיד את המכשיר לתיקון במעבדת שירות של Hilti.
- לאחר עבודות טיפול ותחזוקה יש להקפיד ולחבר את כל התקני ההגנה ולבדוק את תפקוד המכשיר.

לצורך הפעלה בטוחה של המכשיר יש להשתמש רק בחלקי חילוף וחומרים מתכלים מקוריים. את חלקי החילוף, החומרים המתכלים והאביזרים שאושרו על-ידנו עבור המוצר שלך תמצא ב-Hilti Store שלך או בכתובת: [www.hilti.group](http://www.hilti.group).


**7 הובלה ואחסון**

- אין להוביל את המכשיר החשמלי כאשר מחובר אליו כלי.
- יש להקפיד לנתק את תקע החשמל לפני אחסון המכשיר.
- יש לשמור את המכשיר במקום יבש הרחק מהישג ידם של ילדים ואנשים לא מורשים.
- לאחר הובלה או אחסון ממושך יש לבדוק את המכשיר החשמלי לפני שמשתמשים בו שוב, כדי לאתר נדקים.

**8 תיקון תקלות**

אם מתרחשת תקלה שאינה מוסברת בטבלה זו או שאינך יכול לתקן בעצמך, פנה לשירות של Hilti.

**8.1 איתור תקלות**

תקלה	סיבה אפשרית	פתרון
הפטישון המשולב אינו מתחיל לפעול.	אספקת החשמל נותקה.	◀ חבר מכשיר חשמלי אחר ובדוק אם הוא פועל.
	גרנטור במצב שינה.	◀ העמס על הגרנטור באמצעות צרכן שני (כגון תאורת אתר בנייה). לאחר מכן כבה את המכשיר והדלק אותו מחדש.
	חסימת הפעלה האלקטרונית נכנסה לפעולה לאחר ביותק החשמל.	◀ כבה את המכשיר והדלק אותו מחדש.
	מברשות הפחם נשחקו.	◀ מסור לחשמלאי לבדיקה, ובמקרה הצורך החלף.
אין הלימה.	המכשיר קר מדי.	◀ הצמד את הפטישון המשולב לחומר ואפשר לו לפעול בסרק. חזור על הפעולה לפי הצורך עד שמערכת ההלימה מתחילה לעבוד.
הפטישון המשולב אינו פועל בעוצמה מלאה.	הכבל המאריך ארוך מדי ו/או הקוטר שלו קטן מדי.	◀ השתמש בכבל מאריך באורך נכון ו/או בעל קוטר גדול מספיק.
	מתג הפעלה לא בלחץ עד הסוף.	◀ לחץ על מתג ההפעלה עד הסוף.
	מתח אספקת החשמל נמוך מדי.	◀ חבר את המכשיר למקור אספקת חשמל אחר.



תקלה	סיבה אפשרית	פתרון
המקדח אינו מסתובב.	בורר הפעולות לא נתפס בעמדה או שהוא נמצא בעמדה "חציבה" T או בעמדה "מיקום האדמל" :-).	◀ כשהמכשיר אינו מסתובב העבר את בורר הפעולות לעמדה "קידוח בהלימה" T.
לא ניתן לשחרר את המקדח מהנעילה.	התפסנית לא נמשכה לאחור עד הסוף.	◀ משוך את נעילת הכלים לאחור עד הסוף והוצא את הכלי.
	ידיית האחיזה הצדית אינה מותקנת נכון.	◀ שחרר את ידיית האחיזה הצדית והתקן אותה בצורה נכונה, כך שהרצועה וידיית האחיזה הצדית ייתפסו בשקע.
חיווי הטיפולים מהבהב באדום.	בדקים למכשיר.	◀ פנה לשירות של Hilti כדי לתקן את המוצר.
חיווי הטיפולים מאיר באדום.	מברשות הפחם נשחקו.	◀ מסור לחשמלאי לבדיקה, ובמקרה הצורך החלף.

## 9 סילוק

המוצרים של Hilti מיוצרים בחלקם מגודל מחומרים ניתנים למיחזור. כדי שניתן יהיה למחזרם דרושה הפרדת חומרים מקצועית. במדינות רבות Hilti תקבל את המכשיר הישן שלך בחזרה לצורך מיחזור. פנה לשירות של Hilti או למשווק.

◀ אין להשליך כלי עבודה חשמליים, כלים אלקטרוניים וסוללות לפסולת הביתית!

## 10 RoHS (תקנה להגבלת השימוש בחומרים מסוכנים)

בקישורים הבאים תמצא את טבלת החומרים המסוכנים: [qr.hilti.com/r1021413](http://qr.hilti.com/r1021413)  
קישור לטבלת RoHS תמצא בסוף תיעוד זה, בצורת קוד QR.

## 11 אחריות יצרן

◀ אם יש לך שאלות בנושא תנאי האחריות, אנא פנה למשווק Hilti הקרוב אליך.





TE 70-AVR



**en Declaration of conformity****Declaration of conformity**

The manufacturer declares, on his sole responsibility, that the product described here complies with the applicable legislation and standards.

The technical documentation is filed here:

**Hilti** Entwicklungsgesellschaft mbH | Tool Certification | Hiltistrasse 6 | D-86916 Kaufering, Germany

**Product information**

Combiammer	TE 70-AVR
Generation	03
Serial no.	1-9999999999





**הצהרת תאימות**

היצרן מצהיר באחריותו הבלעדית כי המוצר המתואר כאן עונה על דרישות החוק התקפות והתקנים התקפים.

התיעוד הטכני שמור כאן:

Hilti Entwicklungsgesellschaft mbH | Zulassung Geräte | Hiltistraße 6 | 86916 Kaufering, Germany

**נתוני המוצר**

TE 70-AVR	פטישון משולב
03	דור
9999999999-1	מס' סידורי

**Hilti Corporation**  
Feldkircherstraße 100  
9494 Schaan | Liechtenstein



**TE 70-AVR (03) | TE 70-ATC/AVR (03) | TE 80-ATC/AVR(03)**

2006/42/EC  
2014/30/EU  
2011/65/EU

EN 62841-1:2015, AC:2015,  
A11:2022  
EN IEC 55014-1:2021  
EN IEC 61000-3-2:2019, A1:2021

EN IEC 62841-2-6:2020/A11:2020  
EN IEC 55014-2:2021  
EN 61000-3-3:2013, A1:2019,  
A2:2021, A2:2021/AC:2022

Schaan, 29.03.2024

**Dr. Tahar Zrilli**  
Head of Quality and Process Management  
Business Area Electric Tools & Accessories

**Edward-Louis Przybylowicz**  
Head of BU Power Tool & Accessories  
Business Area Electric Tools & Accessories



**en UK Declaration of Conformity****Declaration of conformity**

The manufacturer declares, on his sole responsibility, that the product described here complies with the applicable legislation and standards.

The technical documentation is filed here:

**Hilti** Entwicklungsgesellschaft mbH | Tool Certification | Hiltistrasse 6 | D-86916 Kaufering, Germany

**Product information**

Combihammer	TE 70-AVR
Generation	03
Serial no.	1-99999999999

**Manufacturer:****Hilti Corporation**

Feldkircherstraße 100  
9494 Schaan | Liechtenstein

**UK Importer:****Hilti (Gt. Britain) Limited**

No. 1 Circle Square, 3 Symphony Park  
Manchester, England, M1 7FS

**TE 70-AVR (03) | TE 70-ATC/AVR (03) | TE 80-ATC/AVR(03)**

Supply of Machinery (Safety) Regulations  
2008

EN 62041-1:2015, AC:2015,  
A11:2022

EN IEC 62041-2-6:2020/A11:2020

Electromagnetic Compatibility Regulations  
2016

EN IEC 55014-1:2021

EN IEC 55014-2:2021

The Restriction of the Use of Certain  
Hazardous Substances in Electrical and  
Electronic Equipment Regulations 2012

EN IEC 61000-3-2:2019, A1:2021

EN 61000-3-3:2013, A1:2019,  
A2:2021, A2:2021/AC:2022

Schaan, 29.03.2024

**Dr. Tahar Zrilli**

Head of Quality and Process Management  
Business Area Electric Tools & Accessories

**Edward-Louis Przybyłowicz**

Head of BU Power Tool & Accessories  
Business Area Electric Tools & Accessories







Hilti Corporation  
LI-9494 Schaan  
Tel.:+423 234 21 11  
Fax:+423 234 29 65  
[www.hilti.group](http://www.hilti.group)



2063038