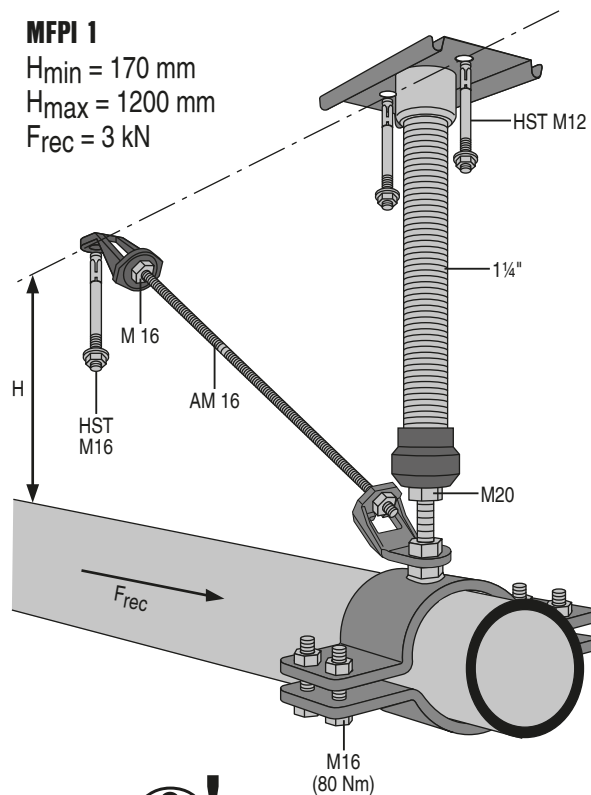


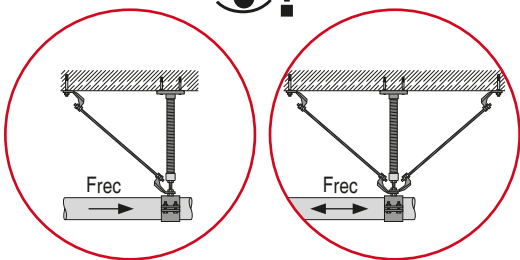
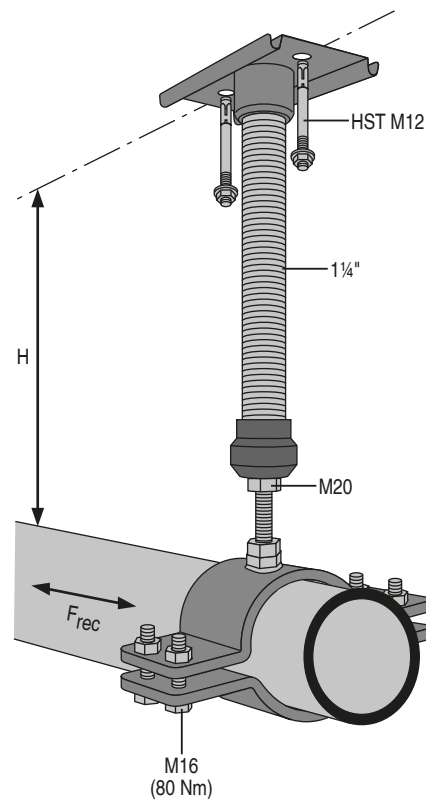
MFPI 1

$H_{min} = 170 \text{ mm}$
 $H_{max} = 1200 \text{ mm}$
 $F_{rec} = 3 \text{ kN}$



MFPI 1a

$H_{min} = 140 \text{ mm}$
 $H_{max} = 800 \text{ mm}$
 $F_{rec} [\text{kN}] = 480 \text{ Nm/H [mm]} \leq 3 \text{ kN}$



MFPI 1		MFPI 1a	
MFP-NW ...			
MFP-BPI 20	# 254460 		
MFP-API 1	# 254461 		
1 1/4"	# 248532 		
AM 16	# 216424 		
2x HST M12/20	# 371587 		
1x HST M16/25	# 371593 		
SW 19, SW 24, SW 30			

