

# HILTI

TE DRS-6-A

English





## 1 Information about the documentation




### 1.1 About this documentation

- Read this documentation before initial operation or use. This is a prerequisite for safe, trouble-free handling and use of the product.
- Observe the safety instructions and warnings in this documentation and on the product.
- Always keep the operating instructions with the product and make sure that the operating instructions are with the product when it is given to other persons.

### 1.2 Explanation of symbols used



#### 1.2.1 Warnings

Warnings alert persons to hazards that may occur when handling or using the product. The following signal words are used in combination with a symbol:

	<b>DANGER!</b> Draws attention to an imminent hazard that will lead to serious personal injury or fatality.
	<b>WARNING!</b> Draws attention to a potential hazard that could lead to serious personal injury or fatality.
	<b>CAUTION!</b> Draws attention to a potentially dangerous situation that could lead to minor personal injury or material damage.


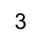


#### 1.2.2 Symbols in the documentation

The following symbols are used in this document:

	Read the operating instructions before use
	Instructions for use and other useful information

#### 1.2.3 Symbols in the illustrations

The following symbols are used in illustrations:

	These numbers refer to the corresponding illustrations found at the beginning of these operating instructions.
	The numbering reflects the sequence of operations shown in the illustrations and may deviate from the steps described in the text.
	Item reference numbers are used in the <b>overview illustration</b> and refer to the numbers used in the key in the <b>product overview</b> section.
	This symbol is intended to draw special attention to certain points when handling the product.

### 1.3 Product information

Hilti products are designed for professional use and may be operated, serviced and maintained only by trained, authorized personnel. This personnel must be informed of any particular hazards that may be encountered. The product and its ancillary equipment can present hazards if used incorrectly by untrained personnel or if used not in accordance with the intended use.

The type designation and serial number are stated on the rating plate.

- ▶ Write down the serial number in the table below. You will be required to state the product details when contacting Hilti Service or your local Hilti organization to inquire about the product.

#### Product information

Dust removal module	TE DRS-6-A
Generation:	02
Serial no.:	

### 1.4 Declaration of conformity

We declare, on our sole responsibility, that the product described here complies with the applicable directives and standards. A copy of the declaration of conformity can be found at the end of this documentation.

## 2 Safety

### 2.1 General power tool safety warnings

#### ⚠ WARNING

**Read all safety warnings and all instructions.** Failure to follow the warnings and instructions may result in electric shock, fire and/or serious injury.

**Save all warnings and instructions for future reference.**

#### Work area safety

- ▶ **Keep work area clean and well lit.** Cluttered or dark areas invite accidents.
- ▶ **Do not operate power tools in explosive atmospheres, such as in the presence of flammable liquids, gases or dust.** Power tools create sparks which may ignite the dust or fumes.
- ▶ **Keep children and bystanders away while operating a power tool.** Distractions can cause you to lose control.

#### Electrical safety

- ▶ **Power tool plugs must match the outlet. Never modify the plug in any way. Do not use any adapter plugs with earthed (grounded) power tools.** Unmodified plugs and matching outlets will reduce risk of electric shock.
- ▶ **Avoid body contact with earthed or grounded surfaces, such as pipes, radiators, ranges and refrigerators.** There is an increased risk of electric shock if your body is earthed or grounded.
- ▶ **Do not expose power tools to rain or wet conditions.** Water entering a power tool will increase the risk of electric shock.
- ▶ **Do not abuse the cord. Never use the cord for carrying, pulling or unplugging the power tool. Keep cord away from heat, oil, sharp edges or moving parts.** Damaged or entangled cords increase the risk of electric shock.
- ▶ **When operating a power tool outdoors, use an extension cord suitable for outdoor use.** Use of a cord suitable for outdoor use reduces the risk of electric shock.
- ▶ **If operating a power tool in a damp location is unavoidable, use a residual current device (RCD) protected supply.** Use of an RCD reduces the risk of electric shock.

#### Personal safety

- ▶ **Stay alert, watch what you are doing and use common sense when operating a power tool. Do not use a power tool while you are tired or under the influence of drugs, alcohol or medication.** A moment of inattention while operating power tools may result in serious personal injury.
- ▶ **Use personal protective equipment. Always wear eye protection.** Protective equipment such as dust mask, non-skid safety shoes, hard hat, or hearing protection used for appropriate conditions will reduce personal injuries.
- ▶ **Prevent unintentional starting. Ensure the switch is in the off-position before connecting to battery pack, picking up or carrying the tool.** Carrying power tools with your finger on the switch or energising power tools that have the switch on invites accidents.
- ▶ **Remove any adjusting key or wrench before turning the power tool on.** A wrench or a key left attached to a rotating part of the power tool may result in personal injury.
- ▶ **Do not overreach. Keep proper footing and balance at all times.** This enables better control of the power tool in unexpected situations.
- ▶ **Dress properly. Do not wear loose clothing or jewellery. Keep your hair, clothing and gloves away from moving parts.** Loose clothes, jewellery or long hair can be caught in moving parts.
- ▶ **If devices are provided for the connection of dust extraction and collection facilities, ensure these are connected and properly used.** Use of dust collection can reduce dust-related hazards.

#### Power tool use and care

- ▶ Do not force the power tool. Use the correct power tool for your application. The correct power tool will do the job better and safer at the rate for which it was designed.
- ▶ **Do not use the power tool if the switch does not turn it on and off.** Any power tool that cannot be controlled with the switch is dangerous and must be repaired.
- ▶ **Disconnect the battery pack from the power tool before making any adjustments, changing accessories, or storing power tools.** Such preventive safety measures reduce the risk of starting the power tool accidentally.

- ▶ **Store idle power tools out of the reach of children and do not allow persons unfamiliar with the power tool or these instructions to operate the power tool.** Power tools are dangerous in the hands of untrained users.
- ▶ **Maintain power tools. Check for misalignment or binding of moving parts, breakage of parts and any other condition that may affect the power tool's operation. If damaged, have the power tool repaired before use.** Many accidents are caused by poorly maintained power tools.
- ▶ **Keep cutting tools sharp and clean.** Properly maintained cutting tools with sharp cutting edges are less likely to bind and are easier to control.
- ▶ **Use the power tool, accessories and tool bits etc. in accordance with these instructions, taking into account the working conditions and the work to be performed.** Use of the power tool for operations different from those intended could result in a hazardous situation.

#### **Battery tool use and care**

- ▶ **Recharge only with the charger specified by the manufacturer.** A charger that is suitable for one type of battery pack may create a risk of fire when used with another battery pack.
- ▶ **Use power tools only with specifically designated battery packs.** Use of any other battery packs may create a risk of injury and fire.
- ▶ **When battery pack is not in use, keep it away from other metal objects, like paper clips, coins, keys, nails, screws or other small metal objects, that can make a connection from one terminal to another.** Shorting the battery terminals together may cause burns or a fire.
- ▶ **Under abusive conditions, liquid may be ejected from the battery; avoid contact. If contact accidentally occurs, flush with water. If liquid contacts eyes, additionally seek medical help.** Liquid ejected from the battery may cause irritation or burns.

#### **Service**

- ▶ **Have your power tool serviced by a qualified repair person using only identical replacement parts.** This will ensure that the safety of the power tool is maintained.

### **2.2 Additional safety instructions**

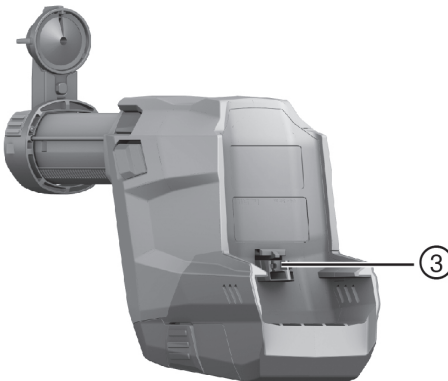
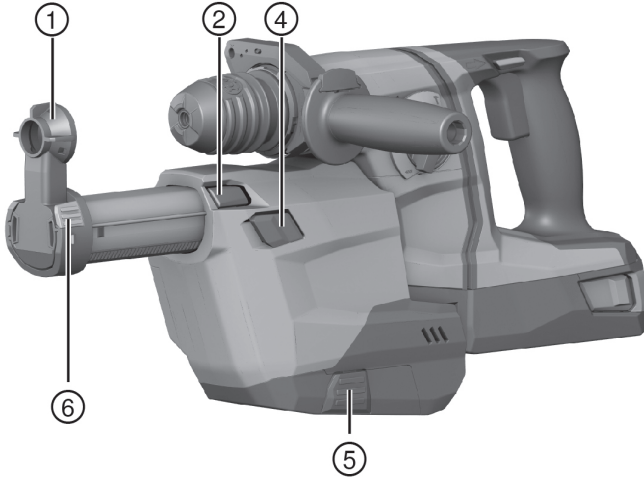
- ▶ Observe all safety instructions in this documentation and in the documentation of the **Hilti** rotary hammer drill.
- ▶ Use respiratory protection to keep residual dust away from the face and airways when drilling and when servicing the tool or accessories.
- ▶ Always use the side handle on the **Hilti** rotary hammer drill, even when the dust removal module is fitted.

### **2.3 Careful handling and use of batteries**

- ▶ Observe the special guidelines applicable to the transport, storage and use of lithium-ion batteries.
- ▶ Do not expose batteries to high temperatures, direct sunlight or fire.
- ▶ Do not take apart, squash or incinerate batteries and do not subject them to temperatures over 80 °C.
- ▶ Do not attempt to charge or continue to use damaged batteries.
- ▶ If the battery is too hot to touch, it may be defective. In this case, place the power tool in a non-flammable location, well away from flammable materials, where it can be kept under observation and left to cool down. Contact **Hilti** Service after the battery has cooled down.

### 3 Description

#### 3.1 Product overview



- |                            |                          |
|----------------------------|--------------------------|
| ① Suction head             | ④ DRS release button     |
| ② Stroke preset button     | ⑤ Dust container release |
| ③ DRS electrical interface | ⑥ Depth gauge            |

### 3.2 Intended use

The TE DRS-6-A dust removal module is an accessory for the **Hilti** TE 6-A36 rotary hammer drill. It collects a high percentage of the dust and it attaches quickly and easily to the rotary hammer drill. The dust removal module is equipped with a suction fan. This fan is driven by its own motor. When the rotary hammer drill is switched on the dust removal module draws its electric power from the rotary hammer drill's battery.

The dust removal module is not suitable for working on metal and wood.

### 3.3 Items supplied

TE DRS-6-A dust removal module, operating instructions.

You can find other system products approved for your product at your local **Hilti** Center or online at: [www.hilti.com](http://www.hilti.com).

## 4 Technical data

### 4.1 Technical data

Rated power input	60 W
Suction	250 ℓ/min
Weight	1.0 kg

## 5 Operation

### 5.1 Preparations at the workplace



#### CAUTION

**Risk of injury!** Inadvertent starting of the product.

- ▶ Remove the battery before making any adjustments to the power tool or before changing accessories.

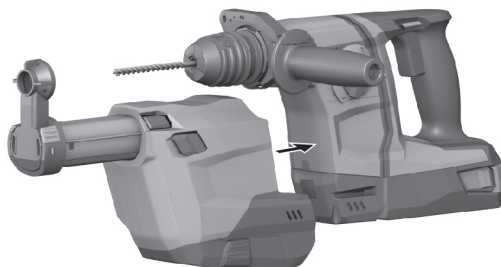
Observe the safety instructions and warnings in this documentation and on the product.

### 5.2 Fitting the dust removal module



#### Note

Before fitting the module, check that the attachment points and the electrical interfaces on the rotary hammer drill and dust removal module are free of dust and that the parts fit or move freely and easily.



1. Set the forward / reverse selector switch on the rotary hammer drill to the middle position.

2. Remove the depth gauge from the side handle.
3. Position the dust removal module on the guides and from the front, push it on to the power tool until it engages.
4. After fitting, check that the dust removal module is secure.

### 5.3 Setting the length (stroke)



#### WARNING

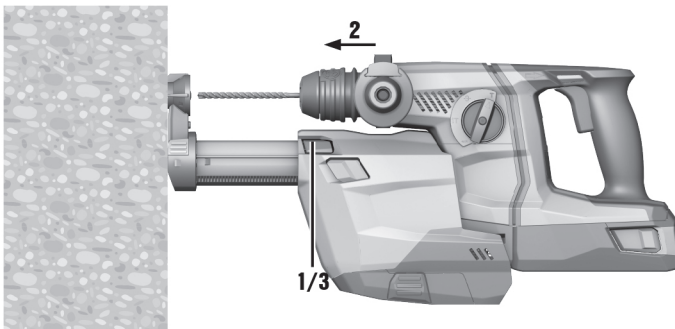
**Risk of injury** The telescopic section will jump out when the stroke preselection button is pressed.

- ▶ Hold the rotary hammer with the dust removal module so that the telescopic section cannot injure you when it jumps out.



#### Note

The default stroke setting is for a drill bit length of 170 mm. Stroke has to be adjusted if shorter drill bits are used.



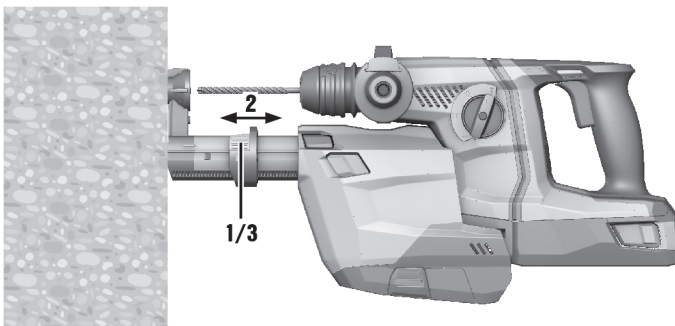
1. Press and hold down the stroke preset button.
2. With the drill bit fitted, press the rotary hammer drill against the working surface until the tip of the drill bit comes into contact with the surface.
3. Release the stroke preset button.

### 5.4 Setting drilling depth (depth gauge)



#### Note

If drilling depth has to be exact, drill test holes to establish the correct depth.



1. Press and hold down the button of the depth gauge.
2. Move the ring to the desired drilling depth.



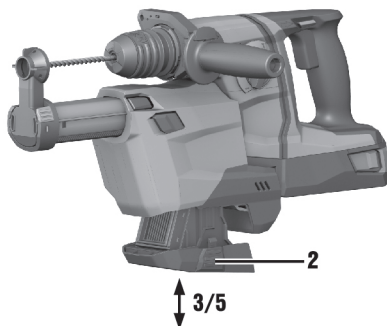
3. Release the button of the depth gauge.

## 5.5 Emptying the dust container



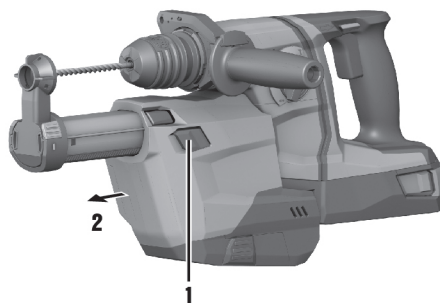
### Note

Dust can escape if the filter is full, so it has to be emptied regularly. Wear respiratory protection when doing this.



1. Hold the power tool horizontal and allow it to run for a short time.
  - ◀ This ensures that residual dust deposits in the dust removal module are drawn into the dust container.
2. Press and hold down the release button of the dust container.
3. Pull the dust container down and clear of the dust removal module.
4. Empty the dust container.
5. Push the empty dust container back into the dust removal module from below until it engages.

## 5.6 Removing the dust removal module



1. Set the forward / reverse selector switch on the rotary hammer drill to the middle position.
2. Press and hold down the DRS release button.
3. Pull the dust removal module forward and clear of the power tool.

## 5.7 Changing the suction head



1. Remove the dust removal module from the rotary hammer drill.
2. Press and hold down the suction head release button.
3. Pull the old suction head up and out of its guide.
4. Press the new suction head into the guide until it engages.

## 6 Care and maintenance

### 6.1 Care and maintenance

- ▶ Check all parts of the module for signs of damage at regular intervals and make sure that they all function correctly. Do not use the module if parts are damaged or if they do not function correctly.
- ▶ Do not use water, oil, grease or cleaning products.
- ▶ Use only a dry brush and a cloth to clean the dust removal module.
- ▶ Do not touch the filter material when cleaning it and do not use compressed air to clean it. This can damage the filter material.

## 7 Transport and storage of cordless tools

### Transport



#### CAUTION

**Inadvertent starting during transport.** Uncontrolled starting during transport may occur if the battery is fitted, thereby resulting in damage to the tool.

- ▶ Always remove the battery before transporting the tool.

- ▶ Remove the battery.
- ▶ Transport the tool and batteries individually packaged.
- ▶ Never transport batteries in bulk form (loose, unprotected).
- ▶ Check the tool and batteries for damage before use after long periods of transport.

### Storage



#### CAUTION

**Inadvertent damage caused by defective battery.** A leaking battery may damage the tool.

- ▶ Always remove the battery before storing the tool.

- ▶ Store the tool and batteries in a place that is as cool and dry as possible.
- ▶ Never store batteries in direct sunlight, on heating units or behind a window pane.
- ▶ Store the tool and batteries in a place where they cannot be accessed by children or unauthorized persons.
- ▶ Check the tool and batteries for damage before use after long periods of storage.

## 8 Troubleshooting

If the trouble you are experiencing is not listed in this table or you are unable to remedy the problem by yourself, please contact **Hilti** Service.

### 8.1 Troubleshooting

Trouble or fault	Possible cause	Action to be taken
An excessive amount of dust is generated.	The dust container is full.	▶ Empty the dust container.
	The filter is defective.	▶ Replace the filter.
	The suction head is defective.	▶ Change the suction head.
	The suction head brush is worn.	▶ Change the suction head.
The drill bit is not centered in the suction head.	The dust removal module is not fitted correctly.	▶ Push the dust removal module on to the tool until it engages.

## 9 Disposal



### WARNING

**Risk of injury.** Hazards presented by improper disposal.

- ▶ Improper disposal of the equipment may have the following consequences: The burning of plastic components generates toxic fumes which may present a health hazard. Batteries may explode if damaged or exposed to very high temperatures, causing poisoning, burns, acid burns or environmental pollution. Careless disposal may permit unauthorized and improper use of the equipment. This may result in serious personal injury, injury to third parties and pollution of the environment.
- ▶ Dispose of defective batteries right away. Keep them out of reach of children. Do not disassemble or incinerate the batteries.
- ▶ Batteries that have reached the end of their life must be disposed of in accordance with national regulations or returned to **Hilti**.



Most of the materials from which **Hilti** tools and appliances are manufactured can be recycled. The materials must be correctly separated before they can be recycled. In many countries, your old tools, machines or appliances can be returned to **Hilti** for recycling. Ask **Hilti** Service or your Hilti representative for further information.

In accordance with the European Directive on waste electrical and electronic equipment and its implementation in conformance with national law, electric tools or appliances that have reached the end of their life must be collected separately and returned to an environmentally compatible recycling facility.



- ▶ Disposal of electric tools or appliances together with household waste is not permissible.

## 10 Manufacturer's warranty

- ▶ Please contact your local **Hilti** representative if you have questions about the warranty conditions.





**Hilti Aktiengesellschaft**  
Feldkircherstraße 100  
9494 Schaan | Liechtenstein

**TE DRS 6-A (02)**

[2016]

2006/42/EC

EN ISO 12100

2014/30/EU

EN 60745-1

2011/65/EU

EN 60745-2-6

2006/66/EU

Schaan, 01/2016

**Paolo Luccini**

Head of BA Quality and Process Management  
BA Electric Tools & Accessories

**Tassilo Deinzer**

Executive Vice President  
BU Power Tools & Accessories



Hilti Corporation

LI-9494 Schaan

Tel.: +423/234 21 11

Fax: +423/234 29 65

[www.hilti.com](http://www.hilti.com)

Hilti = registered trademark of Hilti Corp., Schaan



20160919